

志高存远
High aims and lofty aspirations

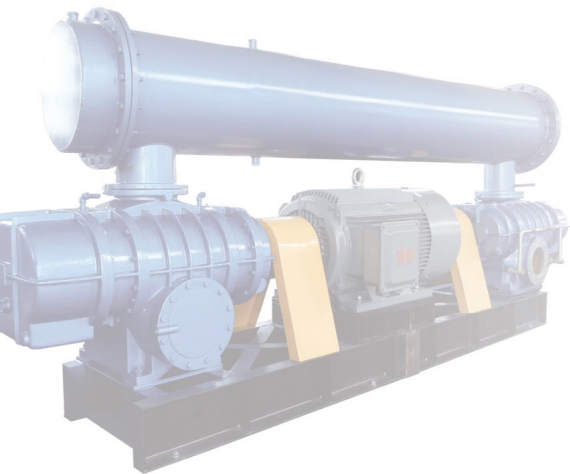


南通市巨龙流体机械有限公司是一家新兴的专业生产一般用途三叶型罗茨鼓风机、防爆型三叶罗茨鼓风机及三叶型罗茨真空泵的企业。公司技术力量雄厚，设计手段先进，加工设备精良。其技术、生产、销售团队均为原国内同行业知名品牌企业的骨干人员。主要技术负责人曾参与国家罗茨鼓风机行业标准的制订。

CORPORATION 公司简介 INTRODUCTION

公司所生产的各型三叶罗茨鼓风机一投放市场，就以它的高效、节能、低噪声、微振动，深受科研设计单位、高等院校和广大用户的好评和信任。公司遵循“严格管理、精心制造、真诚服务、顾客满意”的质量方针和坚持“人诚品真”的经营理念，凭借优良的产品质量、合理的产品价格和热情的售后服务，脚踏实地，稳步发展。

产品主要应用于污水处理、水产养殖、电力、化工、气力输送、铸造、造纸等行业。



常龙 THREE-LOBED ROOTS BLOWER
CHANGLONG CHANGLONG

企业承诺

产品三包 终身维修 指导选型 协助调试 电话垂询
有问必答 上门服务 及时周到 来厂维修 热情快捷

订货须知

在您选购本风机时，请详细告知：

风机升压及流量

用途

输送介质：本风机用于输送清洁空气或煤气，如输送其他介质，我们将尽量满足您的要求。

所需附属品

涂装色有无指定颜色，如无要求则为本风机的标准颜色。

使用须知

使用前必须认真阅读随本风机配发的使用说明书。

调试前必须检查风机联轴器同心度是否符合要求。开机前检查油箱内润滑油是否到达油位线，严禁无油或油量不足开机。

友情提醒

本公司友情提示广大客户：为了你们能选购到性能稳定、质量过硬、价格合理、售后服务周到的产品，请记住“货比三家不吃亏，考察比较较真伪”的箴言。本公司竭诚欢迎广大客户前来咨询考察，洽谈业务。

SERVICE

GUIDE

服务指南

Quality Supremacist
User Supremacist

The Very Best Faith
The Very Best Service

Promises

Reasonable price
Professional advice for your reference
Perfect aftersale service

Notice

Carefully reading our booklet of directions before use
Checking if the concentricity of the shaft coupling according with the demands before test
Examining if the engine oil sufficient,otherwise operation is prohibited

Ordeing

(white placing an order for our products ples inform us with details as following)

Use

Medium(our product is limite to convey clean air or gas,if you need the other medium conveyed,we will try to meet your demand).

Size

Accessories

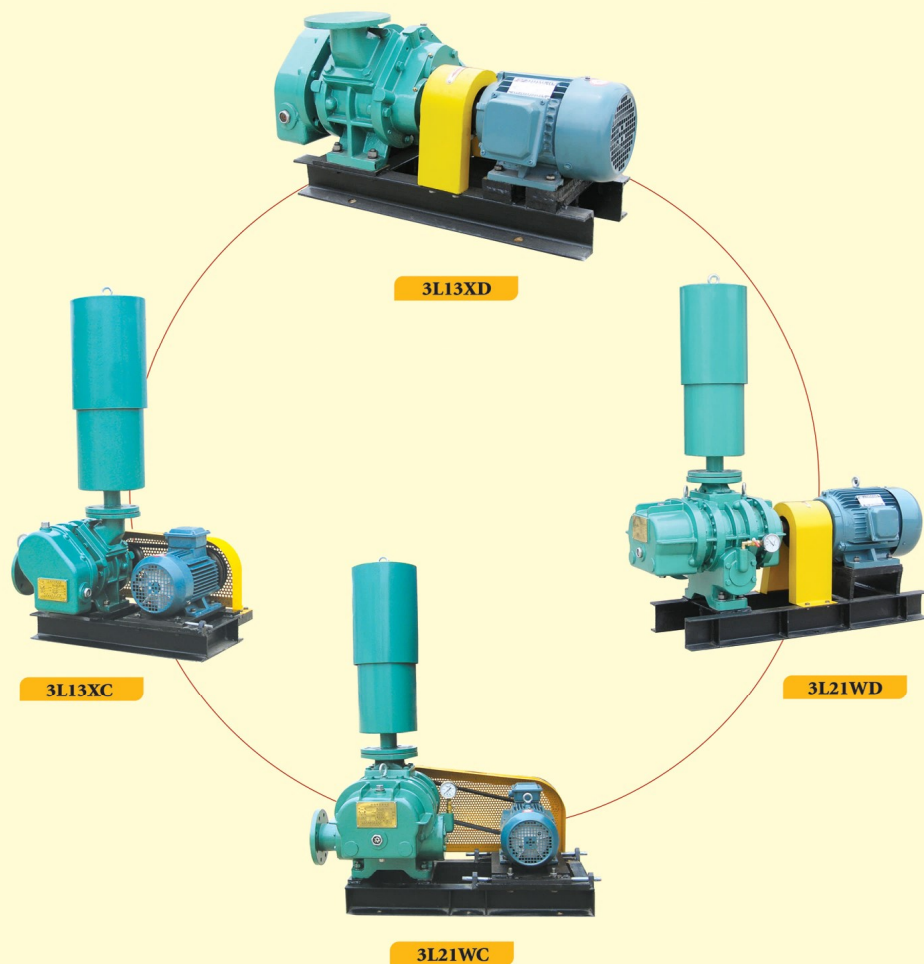
Color(if no special color is appointed,we will regard It as our standard color.

Reming

We remind our clients of carefulness while placing order ensure you of best quality , reasonable price and satisfactory after-sale service .If you have any request, please contace us.

•• THREE-LOBED
•• ROOTS BLOWER AND VACUUM PUMP

常龙牌三叶型罗茨鼓风机、真空泵



CHANGLONG THREE LOBED ROOTS BLOWER AND VACUUM PUMP

As one of our self designed products, chang long three lobed roots blower has been approved by the state patent office with its performance reaching the advanced international standards.

CHANGLONG
ROOTS BLOWER AND VACUUM PUMP

高效HIGH-EFFICIENCY 节能ENERGY-SAVING

低噪音LOW-NOISE 无振动NO VIBRATION

•• THREE-LOBED
•• **ROOTS BLOWER AND VACUUM PUMP**

常龙牌三叶型罗茨鼓风机、真空泵

3L42WC



风机叶轮 Blower Impeller



双级机组



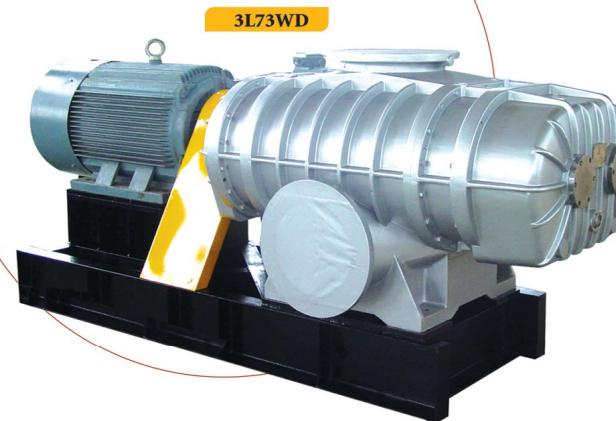
3L53WC



3L62WC



3L63WD



3L73WD

高效 HIGH-EFFICIENCY 节能 ENERGY-SAVING

低噪 LOW-NOISE 无振动 NO VIBRATION

高效率HIGH-EFFICIENCY 节能ENERGY-SAVING 低噪音LOW-NOISE 低振动NO-VIBRATION

风机型号	转速(n)	升压 ΔP		进口流量(Q)	轴功率	配套电机		整机重
	r/min	kPa	mmH ₂ O	m ³ /min	kW	型号	功率kW	kg
3L13XD	1450	9.8	1000	1.58	0.52	Y80M2-4	0.75	112
		19.6	2000	1.47	0.82	Y90S-4	1.1	115
		29.4	3000	1.37	1.15	Y90L-4	1.5	120
		39.2	4000	1.28	1.46	Y100L1-4	2.2	127
		49	5000	1.19	1.78	Y100L1-4	2.2	127
		58.8	6000	1.08	2.12	Y100L2-4	3	134
	2950	9.8	1000	3.64	1.22	Y90S-2	1.5	115
		19.6	2000	3.44	1.91	Y90L-2	2.2	119
		29.4	3000	3.28	2.60	Y100L-2	3	126
		39.2	4000	3.14	3.28	Y112M-2	4	136
		49	5000	3.02	3.98	Y132S1-2	5.5	157
		58.8	6000	2.90	4.72	Y132S1-2	5.5	157
3L13XC	1250	9.8	1000	1.36	0.42	Y80M2-4	0.75	112
		19.6	2000	1.25	0.66	Y80M2-4	0.75	112
		29.4	3000	1.14	0.92	Y90S-4	1.1	115
		39.2	4000	1.03	1.18	Y90L-4	1.5	120
		49	5000	0.91	1.44	Y100L1-4	2.2	128
		58.8	6000	0.79	1.71	Y100L1-4	2.2	128
	1650	9.8	1000	1.80	0.63	Y80M2-4	0.75	113
		19.6	2000	1.69	0.98	Y90S-4	1.1	116
		29.4	3000	1.59	1.33	Y90L-4	1.5	121
		39.2	4000	1.50	1.69	Y100L1-4	2.2	128
		49	5000	1.40	2.05	Y100L1-4	2.2	128
		58.8	6000	1.29	2.42	Y100L2-4	3	132
	1850	9.8	1000	2.02	0.73	Y90S-4	1.1	116
		19.6	2000	1.91	1.11	Y90L-4	1.5	121
		29.4	3000	1.81	1.50	Y100L1-4	2.2	129
		39.2	4000	1.72	1.88	Y100L1-4	2.2	129
		49	5000	1.62	2.27	Y100L2-4	3	132
		58.8	6000	1.51	2.67	Y100L2-4	3	132
	2050	9.8	1000	2.25	0.84	Y90S-4	1.1	117
		19.6	2000	2.14	1.26	Y90L-4	1.5	122
		29.4	3000	2.03	1.68	Y100L1-4	2.2	129
		39.2	4000	1.94	2.11	Y100L2-4	3	133
		49	5000	1.84	2.54	Y100L2-4	3	133
		58.8	6000	1.73	2.97	Y112M-4	4	142

风机型号	转速(n)	升压 ΔP		进口流量(Q)	轴功率	配套电机		整机重	
	r/min	kPa	mmH ₂ O	m ³ /min	kW	型号	功率kW	kg	
3L14XD	1450	9.8	1000	2.08	0.58	Y80M2-4	0.75	120	
		19.6	2000	1.94	0.98	Y90S-4	1.1	123	
		29.4	3000	1.82	1.37	Y90L-4	1.5	128	
		39.2	4000	1.70	1.76	Y100L1-4	2.2	135	
		49	5000	1.58	2.17	Y100L2-4	3	135	
		58.8	6000	1.46	2.57	Y100L2-4	3	139	
	2950	9.8	1000	4.68	1.32	Y90S-2	1.5	123	
		19.6	2000	4.41	2.11	Y90L-2	2.2	127	
		29.4	3000	4.22	2.96	Y112M-2	4	144	
		39.2	4000	4.05	3.85	Y132S1-2	5.5	165	
		49	5000	3.91	4.76	Y132S1-2	5.5	165	
		58.8	6000	3.76	5.68	Y132S2-2	7.5	172	
	3L14XC	1250	9.8	1000	1.80	0.49	Y80M2-4	0.75	120
			19.6	2000	1.66	0.82	Y90S-4	1.1	123
			29.4	3000	1.52	1.16	Y90L-4	1.5	128
			39.2	4000	1.40	1.50	Y100L1-4	2.2	135
			49	5000	1.28	1.85	Y100L1-4	2.2	135
			58.8	6000	1.13	2.20	Y100L2-4	3	142
1650		9.8	1000	2.36	0.70	Y90S-4	1.1	124	
		19.6	2000	2.22	1.13	Y90L-4	1.5	129	
		29.4	3000	2.08	1.55	Y100L1-4	2.2	136	
		39.2	4000	1.96	1.98	Y100L1-4	2.2	136	
		49	5000	1.85	2.41	Y100L2-4	3	145	
		58.8	6000	1.72	2.85	Y112M-4	4	154	
1850		9.8	1000	2.64	0.82	Y90S-4	1.1	125	
		19.6	2000	2.50	1.29	Y90L-4	1.5	130	
		29.4	3000	2.36	1.75	Y100L1-4	2.2	137	
		39.2	4000	2.24	2.22	Y100L2-4	3	146	
		49	5000	2.13	2.68	Y112M-4	4	155	
		58.8	6000	1.98	3.15	Y112M-4	4	155	
2050		9.8	1000	2.92	0.94	Y90S-4	1.1	126	
		19.6	2000	2.78	1.45	Y100L1-4	2.2	138	
		29.4	3000	2.64	1.95	Y100L1-4	2.2	138	
		39.2	4000	2.52	2.46	Y100L2-4	3	147	
		49	5000	2.41	2.96	Y112M-4	4	156	
		58.8	6000	2.25	3.46	Y112M-4	4	156	

高效率HIGH-EFFICIENCY 节能ENERGY-SAVING 低噪音LOW-NOISE 低振动NO-VIBRATION

高效 HIGH-EFFICIENCY 节能 ENERGY-SAVING 低噪 LOW-NOISE 低振 NO-VIBRATION

风机型号	转速(n)	升压△P		进口流量(Q)	轴功率	配套电机		整机重
	r/min	kPa	mmH ₂ O	m ³ /min	kW	型号	功率kW	
3L21WD	1450	9.8	1000	2.94	0.81	Y90S-4	1.1	208
		19.6	2000	2.68	1.36	Y90L-4	1.5	209
		29.4	3000	2.51	1.93	Y100L1-4	2.2	217
		39.2	4000	2.33	2.47	Y100L2-4	3	217
		49	5000	2.18	3.13	Y112M-4	4	227
		58.8	6000	2.03	3.78	Y112M-4	4	227
	2950	9.8	1000	6.35	1.73	Y90L-2	2.2	208
		19.6	2000	6.11	2.92	Y112M-2	4	217
		29.4	3000	5.92	4.14	Y132S1-2	5.5	244
		39.2	4000	5.74	5.32	Y132S2-2	7.5	251
		49	5000	5.61	6.56	Y132S2-2	7.5	251
		58.8	6000	5.48	7.78	Y160M1-2	11	293
3L21WC	1650	9.8	1000	3.38	0.96	Y90S-4	1.1	208
		19.6	2000	3.13	1.55	Y100L1-4	2.2	217
		29.4	3000	2.96	2.13	Y100L2-4	3	218
		39.2	4000	2.78	2.74	Y112M-4	4	227
		49	5000	2.63	3.34	Y112M-4	4	227
		58.8	6000	2.48	3.95	Y132S-4	5.5	250
	1800	9.8	1000	3.74	1.07	Y90L-4	1.5	210
		19.6	2000	3.48	1.72	Y100L1-4	2.2	218
		29.4	3000	3.30	2.36	Y100L2-4	3	219
		39.2	4000	3.13	3.02	Y112M-4	4	228
		49	5000	2.98	3.67	Y112M-4	4	228
		58.8	6000	2.82	4.32	Y132S-4	5.5	251
	1950	9.8	1000	4.08	1.18	Y90L-4	1.5	211
		19.6	2000	3.82	1.88	Y100L1-4	2.2	218
		29.4	3000	3.65	2.59	Y100L2-4	3	219
		39.2	4000	3.47	3.30	Y112M-4	4	229
		49	5000	3.32	4.01	Y132S-4	5.5	252
		58.8	6000	3.17	4.73	Y132S-4	5.5	252
	2100	9.8	1000	4.43	1.29	Y100L1-4	2.2	219
		19.6	2000	4.17	2.06	Y100L2-4	3	220
		29.4	3000	4.00	2.81	Y112M-4	4	230
		39.2	4000	3.82	3.55	Y132S-4	5.5	253
		49	5000	3.67	4.30	Y132S-4	5.5	253
		58.8	6000	3.52	5.05	Y132S-4	5.5	253

风机型号	转速(n)	升压△P		进口流量(Q)	轴功率	配套电机		整机重	
	r/min	kPa	mmH ₂ O	m ³ /min	kW	型号	功率kW		
3L22WD	1450	9.8	1000	3.90	1.35	Y90L-4	1.5	222	
		19.6	2000	3.69	2.01	Y100L1-4	2.2	230	
		29.4	3000	3.46	2.72	Y100L2-4	3	231	
		39.2	4000	3.28	3.44	Y112M-4	4	240	
		49	5000	3.10	4.15	Y132S-4	5.5	261	
		58.8	6000	2.92	4.85	Y132S-4	5.5	261	
	2950	9.8	1000	8.79	2.44	Y100L-2	3	231	
		19.6	2000	8.48	4.05	Y132S1-2	5.5	260	
		29.4	3000	8.26	5.66	Y132S2-2	7.5	264	
		39.2	4000	8.04	7.27	Y160M1-2	11	306	
		49	5000	7.85	8.87	Y160M1-2	11	306	
		58.8	6000	7.67	10.46	Y160M2-2	15	330	
	3L22WC	1650	9.8	1000	4.66	1.56	Y100L1-4	2.2	230
			19.6	2000	4.46	2.35	Y100L2-4	3	231
			29.4	3000	4.23	3.13	Y112M-4	4	240
			39.2	4000	4.05	3.90	Y132S-4	5.5	261
			49	5000	3.87	4.68	Y132S-4	5.5	261
			58.8	6000	3.69	5.46	Y132M-4	7.5	275
1800		9.8	1000	5.14	1.71	Y100L1-4	2.2	231	
		19.6	2000	4.93	2.61	Y100L2-4	3	232	
		29.4	3000	4.70	3.47	Y112M-4	4	241	
		39.2	4000	4.52	4.33	Y132S-4	5.5	262	
		49	5000	4.34	5.19	Y132M-4	7.5	276	
		58.8	6000	4.16	6.05	Y132M-4	7.5	276	
1950		9.8	1000	5.62	1.86	Y100L2-4	3	233	
		19.6	2000	5.41	2.87	Y112M-4	4	242	
		29.4	3000	5.17	3.82	Y132S-4	5.5	263	
		39.2	4000	5.09	4.77	Y132S-4	5.5	263	
		49	5000	4.81	5.72	Y132M-4	7.5	277	
		58.8	6000	4.63	6.68	Y132M-4	7.5	277	
2100		9.8	1000	6.08	2.01	Y100L2-4	3	234	
		19.6	2000	5.87	3.12	Y112M-4	4	243	
		29.4	3000	5.64	4.16	Y132S-4	5.5	264	
		39.2	4000	5.46	5.19	Y132M-4	7.5	278	
		49	5000	5.28	6.22	Y132M-4	7.5	278	
		58.8	6000	5.10	7.26	Y160M-4	11	314	

高效 HIGH-EFFICIENCY 节能 ENERGY-SAVING 低噪 LOW-NOISE 低振 NO-VIBRATION

HIGH EFFICIENCY 节能 ENERGY-SAVING 低噪音 LOW-NOISE 低振动 NO-VIBRATION

HIGH EFFICIENCY 节能 ENERGY-SAVING 低噪音 LOW-NOISE 低振动 NO-VIBRATION

风机型号	转速(n)		升压 ΔP		进口流量(Q)		轴功率		配套电机		整机重
	r/min		kPa	mmH ₂ O	m ³ /min	kW	型号	功率kW	kg		
3L32WD	980	9.8	1000	6.16	1.86	Y112M-6	2.2	390			
		19.6	2000	5.55	3.02	Y132M1-6	4	424			
		29.4	3000	5.15	4.18	Y132M2-6	5.5	426			
		39.2	4000	4.75	5.36	Y160M-6	7.5	464			
		49	5000	4.45	6.52	Y160M-6	7.5	464			
		58.8	6000	4.15	7.67	Y160L-6	11	488			
		68.6	7000	3.90	8.82	Y160L-6	11	488			
		78.4	8000	3.55	10.01	Y160L-6	11	488			
		88.2	9000	3.19	11.21	Y180L-6	15	512			
		98	10000	2.81	12.42	Y180L-6	15	512			
3L32WC	1100	9.8	1000	7.13	2.10	Y100L2-4	3	381			
		19.6	2000	6.54	3.40	Y112M-4	4	390			
		29.4	3000	6.13	4.71	Y132S-4	5.5	411			
		39.2	4000	5.72	6.00	Y132M-4	7.5	425			
		49	5000	5.42	7.32	Y160M-4	11	461			
		58.8	6000	5.12	8.63	Y160M-4	11	461			
		68.6	7000	4.87	9.95	Y160M-4	11	461			
		78.4	8000	4.50	11.28	Y160L-4	15	485			
		9.8	1000	7.85	2.31	Y100L2-4	3	382			
		19.6	2000	7.25	3.73	Y132S-4	5.5	412			
	29.4	3000	6.85	5.14	Y132S-4	5.5	412				
	39.2	4000	6.46	6.56	Y132M-4	7.5	426				
	49	5000	6.16	7.99	Y160M-4	11	462				
	58.8	6000	5.86	9.41	Y160M-4	11	462				
	68.6	7000	5.61	10.85	Y160L-4	15	486				
	78.4	8000	5.25	12.30	Y160L-4	15	486				
	9.8	1000	8.69	2.54	Y100L2-4	3	383				
	19.6	2000	8.09	4.09	Y132S-4	5.5	412				
	29.4	3000	7.69	5.63	Y132M-4	7.5	427				
	39.2	4000	7.30	7.17	Y132M-4	7.5	427				
49	5000	7.00	8.72	Y160M-4	11	463					
58.8	6000	6.70	10.28	Y160M-4	11	463					
68.6	7000	6.45	11.85	Y160L-4	15	487					
78.4	8000	6.08	13.43	Y160L-4	15	487					
3L32WD	1450	9.8	1000	9.72	2.80	Y112M-4	4	381			
		19.6	2000	9.12	4.52	Y132S-4	5.5	411			
		29.4	3000	8.72	6.26	Y132M-4	7.5	425			
		39.2	4000	8.32	8.01	Y160M-4	11	461			
		49	5000	8.02	9.76	Y160M-4	11	461			
		58.8	6000	7.74	11.52	Y160L-4	15	485			
		68.6	7000	7.49	13.30	Y160L-4	15	485			
		78.4	8000	7.14	15.07	Y180M-4	18.5	517			
		88.2	9000	6.78	16.84	Y180M-4	18.5	517			
		98	10000	6.40	18.62	Y180L-4	22	537			
3L32WC	1600	9.8	1000	10.80	3.12	Y112M-4	4	393			
		19.6	2000	10.20	5.00	Y132M-4	7.5	428			
		29.4	3000	9.81	6.85	Y132M-4	7.5	428			
		39.2	4000	9.41	8.71	Y160M-4	11	464			
		49	5000	9.10	10.56	Y160L-4	15	488			
		58.8	6000	8.79	12.40	Y160L-4	15	488			
		68.6	7000	8.54	14.25	Y180M-4	18.5	520			
		78.4	8000	8.18	16.12	Y180M-4	18.5	520			

风机型号	转速(n)		升压 ΔP		进口流量(Q)		轴功率		配套电机		整机重
	r/min		kPa	mmH ₂ O	m ³ /min	kW	型号	功率kW	kg		
3L41WD	980	9.8	1000	8.05	2.70	Y132S-6	3	567			
		19.6	2000	7.36	4.22	Y132M2-6	5.5	585			
		29.4	3000	6.82	5.76	Y160M-6	7.5	623			
		39.2	4000	6.45	7.28	Y160L-6	11	647			
		49	5000	6.04	8.83	Y160L-6	11	647			
		58.8	6000	5.74	10.36	Y180L-6	15	671			
		68.6	7000	5.46	11.88	Y180L-6	15	671			
		78.4	8000	4.90	13.40	Y180L-6	15	671			
		88.2	9000	4.30	14.93	Y200L1-6	18.5	720			
		98	10000	3.70	16.48	Y200L1-6	18.5	720			
	9.8	1000	12.45	3.95	Y132S-4	5.5	553				
	19.6	2000	11.83	6.12	Y132M-4	7.5	581				
	29.4	3000	11.35	8.35	Y160M-4	11	620				
	39.2	4000	10.94	10.60	Y160L-4	15	644				
	49	5000	10.60	12.84	Y160L-4	15	644				
	58.8	6000	10.32	15.10	Y180M-4	18.5	676				
	68.6	7000	10.07	17.35	Y180M-4	18.5	676				
	78.4	8000	9.51	19.60	Y180L-4	22	696				
	88.2	9000	8.90	21.86	Y200L-4	30	760				
	98	10000	8.30	24.19	Y200L-4	30	760				
3L42WD	980	9.8	1000	12.43	4.10	Y132M2-6	5.5	619			
		19.6	2000	11.59	6.28	Y160M-6	7.5	657			
		29.4	3000	10.95	8.50	Y160L-6	11	681			
		39.2	4000	10.48	10.69	Y180L-6	15	751			
		49	5000	9.98	12.90	Y180L-6	15	751			
		58.8	6000	9.63	15.11	Y200L1-6	18.5	771			
		68.6	7000	9.23	17.23	Y200L1-6	18.5	771			
		78.4	8000	8.63	19.45	Y200L2-6	22	789			
		88.2	9000	8.02	21.70	Y225M-6	30	830			
		98	10000	7.40	23.94	Y225M-6	30	830			
3L42WC	1100	9.8	1000	14.08	4.60	Y132S-4	5.5	590			
		19.6	2000	13.33	7.05	Y160M-4	11	654			
		29.4	3000	12.71	9.50	Y160M-4	11	654			
		39.2	4000	12.31	12.02	Y160L-4	15	678			
		49	5000	11.88	14.55	Y180M-4	18.5	710			
		58.8	6000	11.51	17.10	Y180M-4	18.5	710			
		68.6	7000	11.19	19.70	Y180L-4	22	730			
		78.4	8000	10.58	22.34	Y200L-4	30	790			

HIGH EFFICIENCY 节能 ENERGY-SAVING 低噪音 LOW-NOISE 低振动 NO-VIBRATION

HIGH EFFICIENCY 节能 ENERGY-SAVING 低噪音 LOW-NOISE 低振动 NO-VIBRATION

风机型号	转速(n)	升压△P		进口流量(Q)	轴功率	配套电机		整机重
	r/min	kPa	mmH ₂ O	m ³ /min	kW	型号	功率kW	kg
3L42WC	1200	9.8	1000	15.50	5.02	Y132M-4	7.5	615
		19.6	2000	14.78	7.71	Y160M-4	11	655
		29.4	3000	14.15	10.40	Y160L-4	15	679
		39.2	4000	13.73	13.10	Y160L-4	15	679
		49	5000	13.31	15.82	Y180M-4	18.5	711
		58.8	6000	12.95	18.53	Y180L-4	22	731
		68.6	7000	12.63	21.28	Y200L-4	30	792
		78.4	8000	12.01	24.05	Y200L-4	30	792
	1310	9.8	1000	16.95	5.45	Y132M-4	7.5	606
		19.6	2000	16.28	8.44	Y160M-4	11	656
		29.4	3000	15.69	11.43	Y160L-4	15	680
		39.2	4000	15.18	14.40	Y180M-4	18.5	712
		49	5000	14.79	17.38	Y180M-4	18.5	712
		58.8	6000	14.41	20.40	Y180L-4	22	732
		68.6	7000	14.09	23.47	Y200L-4	30	793
		78.4	8000	13.48	26.55	Y200L-4	30	793
3L42WD	1450	9.8	1000	19.03	6.08	Y132M-4	7.5	604
		19.6	2000	18.28	9.45	Y160M-4	11	654
		29.4	3000	17.73	12.83	Y160L-4	15	678
		39.2	4000	17.18	16.22	Y180M-4	18.5	710
		49	5000	16.80	19.51	Y180L-4	22	730
		58.8	6000	16.48	22.91	Y200L-4	30	791
		68.6	7000	16.13	26.32	Y200L-4	30	791
		78.4	8000	15.52	29.72	Y225S-4	37	851
		88.2	9000	14.90	33.14	Y225S-4	37	851
		98	10000	14.25	36.55	Y225M-4	45	871
3L42WC	1600	9.8	1000	21.13	6.85	Y160M-4	11	657
		19.6	2000	20.38	10.75	Y160L-4	15	681
		29.4	3000	19.78	14.65	Y180M-4	18.5	713
		39.2	4000	19.30	18.60	Y180L-4	22	733
		49	5000	18.88	22.52	Y200L-4	30	794
		58.8	6000	18.53	26.45	Y200L-4	30	794
		68.6	7000	18.33	30.30	Y225S-4	37	854

风机型号	转速(n)	升压△P		进口流量(Q)	轴功率	配套电机		整机重
	r/min	kPa	mmH ₂ O	m ³ /min	kW	型号	功率kW	kg
3L52WD	980	9.8	1000	22.2	6.4	Y160L-6	11	1042
		19.6	2000	21.4	9.9	Y180L-6	15	1100
		29.4	3000	20.8	13.4	Y200L1-6	18.5	1125
		39.2	4000	20.3	17.1	Y200L2-6	22	1155
		49	5000	19.8	20.8	Y225M-6	30	1235
		58.8	6000	19.3	25.4	Y225M-6	30	1235
		68.6	7000	18.9	29.9	Y250M-6	37	1295
		78.4	8000	18.5	35.1	Y280S-6	45	1470
		88.2	9000	17.7	40.4	Y280S-6	45	1470
		98	10000	16.9	45.8	Y280M-6	55	1490
		3L52WC	1100	9.8	1000	25.4	7.3	Y160M-4
19.6	2000			24.6	11.8	Y160L-4	15	1074
29.4	3000			24.0	16.6	Y180M-4	18.5	1100
39.2	4000			23.5	21.4	Y200L-4	30	1120
49	5000			23.0	26.3	Y200L-4	30	1120
58.8	6000			22.5	31.2	Y225S-4	37	1180
68.6	7000			22.1	36.1	Y225M-4	45	1240
78.4	8000			21.5	41.3	Y250M-4	55	1270
1200	9.8		1000	28.1	8.2	Y160M-4	11	1052
	19.6		2000	27.3	13.1	Y160L-4	15	1076
	29.4		3000	26.7	18.2	Y180L-4	22	1098
	39.2		4000	26.2	23.3	Y200L-4	30	1122
	49		5000	25.7	28.4	Y225S-4	37	1182
	58.8		6000	25.2	33.5	Y225S-4	37	1182
1310	68.6	7000	24.8	38.7	Y225M-4	45	1242	
	78.4	8000	24.2	44.1	Y250M-4	55	1272	
	9.8	1000	30.9	9.2	Y160M-4	11	1055	
	19.6	2000	30.1	14.8	Y180M-4	18.5	1105	
	29.4	3000	29.5	20.4	Y200L-4	30	1125	
	39.2	4000	29.0	26.1	Y200L-4	30	1125	
	49	5000	28.5	31.6	Y225S-4	37	1185	
	58.8	6000	28.0	37.3	Y225M-4	45	1245	
3L52WD	1450	68.6	7000	27.6	43.1	Y250M-4	55	1275
		78.4	8000	27.0	49.0	Y250M-4	55	1275
		9.8	1000	34.7	10.1	Y160L-4	15	1050
		19.6	2000	33.9	16.2	Y180M-4	18.5	1100
		29.4	3000	33.2	22.4	Y200L-4	30	1120
		39.2	4000	32.8	28.6	Y225S-4	37	1180
		49	5000	32.3	34.9	Y225M-4	45	1240
		58.8	6000	31.8	41.3	Y225M-4	45	1240
		68.6	7000	31.3	47.7	Y250M-4	55	1270
		78.4	8000	31.0	54.1	Y280S-4	75	1380
3L52WC	1600	88.2	9000	30.2	60.6	Y280S-4	75	1380
		98	10000	29.4	67.3	Y280S-4	75	1380

风机型号	转速(n)	升压 ΔP		进口流量(Q)		轴功率		配套电机		整机重
	r/min	kPa	mmH ₂ O	m ³ /min	kW	型号	功率kW	kg		
3L53WD	980	9.8	1000	28.7	8.2	Y160L-6	11	1117		
		19.6	2000	27.7	12.6	Y180L-6	15	1170		
		29.4	3000	26.9	17.0	Y200L1-6	18.5	1190		
		39.2	4000	26.3	21.7	Y225M-6	30	1270		
		49	5000	25.7	26.4	Y225M-6	30	1270		
		58.8	6000	25.1	32.2	Y250M-6	37	1470		
		68.6	7000	24.5	38.0	Y280S-6	45	1646		
		78.4	8000	24.1	43.3	Y280M-6	55	1666		
		88.2	9000	23.3	48.5	Y280M-6	55	1666		
		98	10000	22.5	53.7	Y315S-6	75	1829		
3L53WC	1100	9.8	1000	32.7	9.3	Y160M-4	11	1127		
		19.6	2000	31.7	14.4	Y180M-4	18.5	1226		
		29.4	3000	30.9	19.8	Y200L-4	30	1300		
		39.2	4000	30.3	25.2	Y200L-4	30	1300		
		49	5000	29.7	30.7	Y225S-4	37	1360		
		58.8	6000	29.1	36.2	Y225M-4	45	1400		
		68.6	7000	28.5	41.8	Y250M-4	55	1469		
		78.4	8000	27.9	47.6	Y250M-4	55	1469		
		98	10000	26.1	53.1	Y280M-4	75	1610		
	1200	9.8	1000	35.1	16.2	Y180M-4	18.5	1229		
		19.6	2000	34.3	22.2	Y200L-4	30	1303		
		29.4	3000	33.7	28.3	Y225S-4	37	1363		
		39.2	4000	33.1	34.5	Y225M-4	45	1403		
		49	5000	32.5	40.7	Y225M-4	45	1403		
		58.8	6000	31.9	47.0	Y250M-4	55	1472		
		68.6	7000	31.3	53.5	Y280S-4	75	1607		
		78.4	8000	30.7	60.0	Y280M-4	75	1610		
		98	10000	29.1	66.5	Y315S-4	90	1730		
1310	9.8	1000	38.7	17.8	Y180L-4	22	1250			
	19.6	2000	37.9	24.5	Y200L-4	30	1305			
	29.4	3000	37.3	31.3	Y225S-4	37	1366			
	39.2	4000	36.7	38.3	Y225M-4	45	1405			
	49	5000	36.1	45.5	Y250M-4	55	1475			
	58.8	6000	35.5	52.7	Y280S-4	75	1610			
	68.6	7000	34.9	60.0	Y280M-4	75	1610			
	78.4	8000	34.3	67.3	Y315S-4	90	1730			
	98	10000	32.7	74.6	Y315M-4	90	1730			
3L53WD	1450	9.8	1000	44.6	12.1	Y160L-4	15	1215		
		19.6	2000	43.6	20.0	Y200L-4	30	1300		
		29.4	3000	42.8	27.5	Y225S-4	37	1355		
		39.2	4000	42.2	35.6	Y225M-4	45	1400		
		49	5000	41.6	43.4	Y250M-4	55	1469		
		58.8	6000	41.0	51.4	Y280S-4	75	1606		
		68.6	7000	40.5	59.5	Y280S-4	75	1606		
		78.4	8000	40.0	67.7	Y280S-4	75	1606		
		88.2	9000	39.2	75.9	Y280M-4	90	1711		
		98	10000	38.4	84.1	Y315M-4	90	1711		

风机型号	转速(n)	升压 ΔP		进口流量(Q)		轴功率		配套电机		整机重
	r/min	kPa	mmH ₂ O	m ³ /min	kW	型号	功率kW	kg		
3L62WD	730	9.8	1000	34.2	9.4	Y200L-8	15	1839		
		19.6	2000	32.4	15.5	Y225S-8	18.5	1866		
		29.4	3000	30.8	21.6	Y250M-8	30	2005		
		39.2	4000	29.5	27.7	Y250M-8	30	2005		
		49	5000	28.3	33.7	Y280S-8	37	2120		
		58.8	6000	27.2	39.8	Y280M-8	45	2192		
		68.6	7000	26.4	45.9	Y315S-8	55	2600		
		78.4	8000	25.6	52.0	Y315M-8	75	2700		
		88.2	9000	24.1	58.3	Y315M-8	75	2700		
	98	10000	23.6	64.7	Y315M-8	75	2700			
	970	9.8	1000	46.4	12.4	Y200L1-6	18.5	1792		
		19.6	2000	44.6	20.4	Y225M-6	30	1892		
		29.4	3000	42.9	28.5	Y250M-6	37	2008		
		39.2	4000	41.7	36.6	Y280S-6	45	2136		
		49	5000	40.4	44.7	Y280M-6	55	2195		
		58.8	6000	39.4	52.8	Y315S-6	75	2590		
		68.6	7000	38.5	60.9	Y315S-6	75	2590		
		78.4	8000	37.8	69.0	Y315S-6	75	2590		
88.2		9000	36.3	78.3	Y315M-6	90	2690			
98	10000	34.8	86.7	Y315L1-6	110	2750				
3L62WC	1090	9.8	1000	52.5	14.2	Y180M-4	18.5	1845		
		19.6	2000	50.6	23.3	Y200L-4	30	1895		
		29.4	3000	49.0	32.4	Y225S-4	37	1955		
		39.2	4000	47.7	41.6	Y250M-4	55	1989		
		49	5000	46.5	50.7	Y280S-4	75	2162		
		58.8	6000	45.4	59.9	Y280S-4	75	2162		
		68.6	7000	44.6	69.0	Y280M-4	90	2267		
		78.4	8000	43.8	78.2	Y280M-4	90	2267		
		98	10000	42.0	87.4	Y315M-4	110	2600		
	1210	9.8	1000	58.6	16.4	Y180L-4	22	1854		
		19.6	2000	56.8	26.5	Y225S-4	37	1957		
		29.4	3000	55.2	36.6	Y225M-4	45	1972		
		39.2	4000	53.9	46.8	Y250M-4	55	1992		
		49	5000	52.7	56.9	Y280S-4	75	2165		
		58.8	6000	51.6	67.1	Y280S-4	75	2165		
		68.6	7000	50.7	77.2	Y280M-4	90	2270		
		78.4	8000	50.0	87.4	Y315S-4	110	2600		
		98	10000	48.2	97.6	Y315M-4	110	2603		
1330	9.8	1000	64.7	18.8	Y180L-4	22	1856			
	19.6	2000	62.8	29.9	Y225S-4	37	1957			
	29.4	3000	61.2	41.0	Y225M-4	45	1975			
	39.2	4000	59.9	52.2	Y280S-4	75	2168			
	49	5000	58.7	63.3	Y280S-4	75	2168			
	58.8	6000	57.7	74.4	Y280M-4	90	2273			
	68.6	7000	56.8	85.5	Y315S-4	110	2603			
	78.4	8000	56.0	96.7	Y315S-4	110	2603			
	98	10000	54.2	107.8	Y315M-4	110	2606			
3L62WD	1450	9.8	1000	70.8	22.3	Y200L-4	30	1895		
		19.6	2000	69.0	34.6	Y225M-4	45	2030		
		29.4	3000	67.4	46.9	Y250M-4	55	1989		
		39.2	4000	66.1	59.3	Y280S-4	75	2162		
		49	5000	64.9	71.7	Y280M-4	90	2267		
		58.8	6000	63.9	84.0	Y315S-4	110	2600		
		68.6	7000	63.0	96.4	Y315S-4	110	2600		
		78.4	8000	62.3	108.9	Y315M-4	132	2700		
		88.2	9000	60.8	121.8	Y315L1-4	160	2850		
		98	10000	59.3	134.8	Y315L1-4	160	2850		

HIGH EFFICIENCY 节能 ENERGY-SAVING 节能 LOW-NOISE 低噪音 NO-VIBRATION 无振动

HIGH EFFICIENCY 节能 ENERGY-SAVING 节能 LOW-NOISE 低噪音 NO-VIBRATION 无振动

超高效率 HIGH EFFICIENCY 节能 ENERGY-SAVING 超静音 LOW-NOISE 超低振动 NO-VIBRATION

风机型号	转速 (n)		升压 ΔP		进口流量 (Q)		轴功率		配套电机		整机重
	r/min		kPa	mmH ₂ O	m ³ /min	kW	型号	功率kW	kg		
3L63WD	730	9.8	1000	41.0	10.8	Y200L-8	15	2150			
		19.6	2000	39.2	18.4	Y225M-8	22	2192			
		29.4	3000	37.8	26.0	Y250M-8	30	2305			
		39.2	4000	36.5	33.7	Y280M-8	45	2520			
		49	5000	35.4	41.4	Y315S-8	55	2900			
		58.8	6000	34.3	49.1	Y315S-8	55	2900			
		68.6	7000	33.3	56.8	Y315M-8	75	3000			
		78.4	8000	32.4	64.5	Y315M-8	75	3000			
		88.2	9000	30.9	72.4	Y315L1-8	90	3100			
	98	10000	29.4	80.5	Y315L1-8	90	3100				
	980	9.8	1000	56.6	15.3	Y200L1-6	18.5	2112			
		19.6	2000	54.8	25.5	Y225M-6	30	2192			
		29.4	3000	53.3	35.7	Y280S-6	45	2436			
		39.2	4000	52.0	45.9	Y280M-6	55	2495			
		49	5000	50.9	56.1	Y315S-6	75	2890			
		58.8	6000	49.9	66.3	Y315S-6	75	2890			
		68.6	7000	48.9	76.5	Y315M-6	90	2970			
		78.4	8000	48.0	86.7	Y315L1-6	110	3100			
88.2		9000	46.4	97.2	Y315L1-6	110	3100				
98	10000	44.8	107.8	Y315L2-6	132	3130					
3L63WC	1090	9.8	1000	64.2	17.5	Y180L-4	22	2185			
		19.6	2000	62.4	29.0	Y225S-4	37	2255			
		29.4	3000	60.9	40.5	Y225M-4	45	2305			
		39.2	4000	59.7	52.0	Y280S-4	75	2462			
		49	5000	58.6	63.6	Y280S-4	75	2462			
		58.8	6000	57.5	75.1	Y280M-4	90	2567			
		68.6	7000	56.5	86.6	Y315S-4	110	2900			
		78.4	8000	55.6	98.1	Y315S-4	110	2900			
		88.2	9000	54.4	110.2	Y315M-4	132	3003			
	1210	9.8	1000	72.0	20.5	Y200L-4	30	2200			
		19.6	2000	70.2	33.2	Y225S-4	37	2258			
		29.4	3000	68.8	45.9	Y250M-4	55	2328			
		39.2	4000	67.5	58.7	Y280S-4	75	2465			
		49	5000	66.4	71.5	Y280M-4	90	2570			
		58.8	6000	65.3	84.4	Y315S-4	110	2903			
		68.6	7000	64.3	98.3	Y315S-4	110	2903			
		78.4	8000	63.4	110.2	Y315M-4	132	3003			
		88.2	9000	62.4	123.1	Y315L1-4	160	3100			
1330	9.8	1000	79.9	23.6	Y200L-4	30	2202				
	19.6	2000	78.0	37.7	Y225M-4	45	2310				
	29.4	3000	76.5	51.6	Y280S-4	75	2468				
	39.2	4000	75.2	65.8	Y280S-4	75	2468				
	49	5000	74.1	79.9	Y280M-4	90	2572				
	58.8	6000	73.1	93.9	Y315S-4	110	2905				
	68.6	7000	72.1	108.0	Y315M-4	132	3005				
	78.4	8000	71.1	123.1	Y315L1-4	160	3100				
	88.2	9000	70.1	138.2	Y315L1-4	160	3100				
3L63WD	1450	9.8	1000	87.6	28.4	Y225S-4	37	2255			
		19.6	2000	85.8	43.9	Y250M-4	55	2325			
		29.4	3000	84.4	59.4	Y280S-4	75	2462			
		39.2	4000	83.2	74.9	Y280M-4	90	2567			
		49	5000	82.1	90.4	Y315S-4	110	2900			
		58.8	6000	81.0	105.8	Y315M-4	132	3000			
		68.6	7000	80.0	121.3	Y315L1-4	160	3100			
		78.4	8000	79.1	136.8	Y315L1-4	160	3100			
		88.2	9000	78.1	152.3	Y315L1-4	160	3100			
		98	10000	77.1	167.8	Y315L1-4	160	3100			

风机型号	转速 (n)		升压 ΔP		进口流量 (Q)		轴功率		配套电机		整机重
	r/min		kPa	mmH ₂ O	m ³ /min	kW	型号	功率kW	kg		
3L72WD	740	9.8	1000	60.8	19.8	Y225M-8	22	2950			
		19.6	2000	59.2	31.1	Y280S-8	37	3207			
		29.4	3000	57.9	42.4	Y280M-8	45	3283			
		39.2	4000	57.2	53.7	Y315M-8	75	3885			
		49	5000	56.3	65.0	Y315M-8	75	3885			
		58.8	6000	55.8	76.3	Y315L1-8	90	3955			
		68.6	7000	55.3	87.6	Y315L2-8	110	4025			
		78.4	8000	54.8	98.9	Y315L2-8	110	4025			
		88.2	9000	54.0	110.2	Y355M1-8	132	4405			
		98	10000	53.3	121.6	Y355M2-8	160	4505			
		3L72WC	820	9.8	1000	68.0	21.6	Y225M-6	30	3070	
				19.6	2000	66.4	34.0	Y250M-6	37	3130	
				29.4	3000	65.1	46.4	Y280M-6	55	3300	
				39.2	4000	64.4	58.8	Y315S-6	75	3437	
49	5000			63.5	71.2	Y315M-6	90	3477			
58.8	6000			63.0	83.6	Y315M-6	90	3477			
68.6	7000			62.5	96.0	Y315L1-6	110	3810			
900	78.4		8000	62.0	108.4	Y315L2-6	132	3910			
	9.8		1000	75.2	23.4	Y200L2-6	30	3070			
	19.6		2000	73.6	37.0	Y280S-6	45	3130			
	29.4		3000	72.3	50.6	Y280M-6	55	3300			
	39.2		4000	71.6	64.2	Y315S-6	75	3437			
	49		5000	70.7	77.8	Y315M-6	90	3477			
	58.8		6000	70.2	91.4	Y315L1-6	110	3810			
3L72WD	980	68.6	7000	69.7	105.0	Y315L2-6	132	3910			
		78.4	8000	69.2	118.6	Y315L2-6	132	3910			
		9.8	1000	82.5	25.0	Y225M-6	30	2985			
		19.6	2000	80.9	39.7	Y280S-6	45	3225			
		29.4	3000	79.6	54.5	Y315S-6	75	3765			
		39.2	4000	78.9	69.3	Y315S-6	75	3765			
		49	5000	78.0	84.2	Y315L1-6	110	3945			
		58.8	6000	77.5	99.0	Y315L1-6	110	3945			
		68.6	7000	77.0	113.9	Y315L2-6	132	4005			
		78.4	8000	76.5	128.4	Y355M1-6	160	4405			
		88.2	9000	75.7	142.9	Y355M1-6	160	4405			
		98	10000	75.0	157.5	Y355M2-6	200	4505			
		3L72WC	1050	9.8	1000	88.8	26.6	Y200L-4	30	2995	
				19.6	2000	87.2	42.5	Y250M-4	55	3090	
29.4	3000			85.9	58.4	Y280S-4	75	3275			
39.2	4000			85.2	74.3	Y280M-4	90	3365			
49	5000			84.3	90.3	Y315S-4	110	3695			
58.8	6000			83.8	106.4	Y315M-4	132	3815			
68.6	7000			83.3	122.6	Y315L1-4	160	3875			
78.4	8000			82.8	138.6	Y315L1-4	160	3875			
88.2	9000			82.3	154.6	Y315L1-4	160	3875			
98	10000			81.8	170.6	Y315L1-4	160	3875			

超高效率 HIGH EFFICIENCY 节能 ENERGY-SAVING 超静音 LOW-NOISE 超低振动 NO-VIBRATION

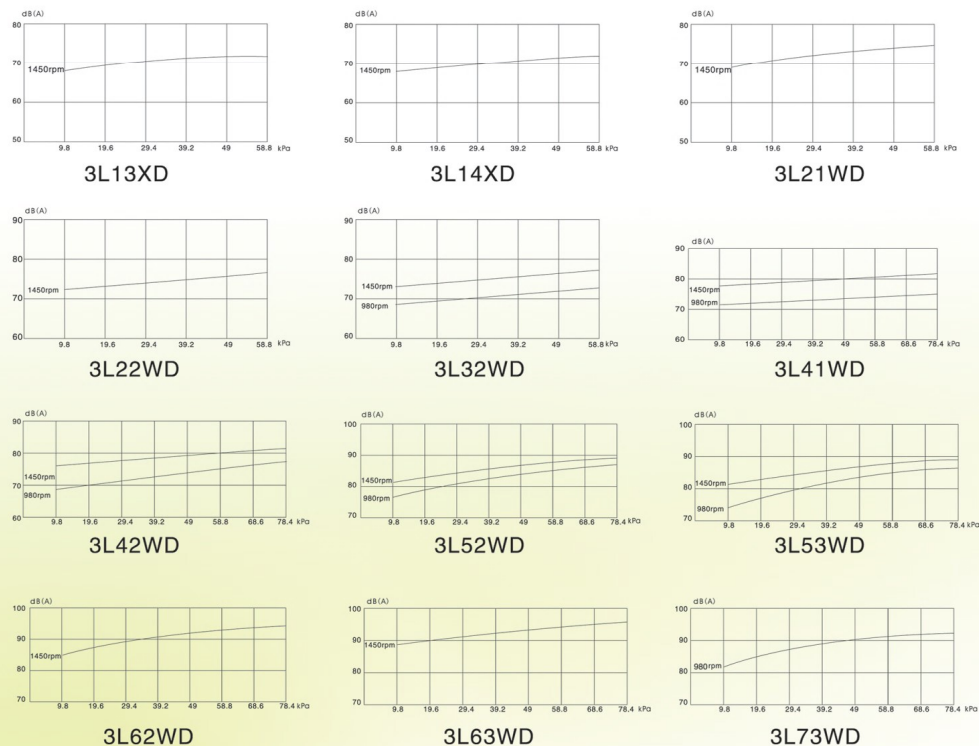
风机型号	转速 (n)		升压 ΔP		进口流量 (Q)		轴功率		配套电机		整机重
	r/min	kPa	mmH ₂ O	m ³ /min	kW	型号	功率kW	kg			
3L72WC	1120	9.8	1000	95.1	28.2	Y225S-4	37	3055			
		19.6	2000	93.5	45.3	Y250M-4	55	3090			
		29.4	3000	92.2	62.3	Y280S-4	75	3275			
		39.2	4000	91.5	79.4	Y280M-4	90	3365			
		49	5000	90.6	96.6	Y315S-4	110	3695			
		58.8	6000	90.1	113.7	Y315M-4	132	3815			
		68.6	7000	89.6	130.8	Y315L1-4	160	3875			
		78.4	8000	89.1	147.9	Y315L2-4	200	4035			
	1190	9.8	1000	101.4	29.8	Y225S-4	37	3055			
		19.6	2000	99.8	48.0	Y250M-4	55	3090			
		29.4	3000	98.5	66.2	Y280S-4	75	3275			
		39.2	4000	97.8	84.4	Y315S-4	110	3695			
		49	5000	96.9	102.6	Y315M-4	132	3815			
		58.8	6000	96.4	120.8	Y315L1-4	160	3875			
		68.6	7000	95.9	139.0	Y315L1-4	160	3875			
		78.4	8000	95.4	157.2	Y315L2-4	200	4035			
	1250	9.8	1000	106.8	31.4	Y225S-4	37	3055			
		19.6	2000	105.2	50.6	Y250M-4	55	3090			
		29.4	3000	103.9	6.8	Y280S-4	75	3275			
		39.2	4000	103.2	89.0	Y315S-4	110	3695			
		49	5000	102.3	108.2	Y315M-4	132	3815			
		58.8	6000	101.8	127.4	Y315L1-4	160	3875			
		68.6	7000	101.3	146.6	Y315L1-4	160	3875			
		78.4	8000	100.8	165.8	Y315L2-4	200	4035			
3L72WD	1450	9.8	1000	124.8	34.7	Y225M-4	45	3010			
		19.6	2000	123.2	57.3	Y280S-4	75	3230			
		29.4	3000	121.9	79.9	Y280M-4	90	3325			
		39.2	4000	121.7	102.5	Y315S-4	110	3720			
		49	5000	120.3	125.2	Y315L1-4	160	3880			
		58.8	6000	119.8	147.9	Y315L1-4	160	3880			
		68.6	7000	119.3	170.6	Y315L2-4	200	3990			
		3L73WD	740	9.8	1000	91.4	27.7	Y250M-8	30	3503	
19.6	2000			88.2	44.2	Y315S-8	55	4195			
29.4	3000			86.3	60.7	Y315M-8	75	4305			
39.2	4000			84.4	77.2	Y315L1-8	90	4375			
49	5000			83.1	93.8	Y315L2-8	110	4445			
58.8	6000			82.3	110.3	Y355M1-8	132	4825			
68.6	7000			81.5	126.9	Y355M2-8	160	4925			
78.4	8000			80.7	143.5	Y355M2-8	160	4925			
88.2	9000			79.8	160.1	Y355L-8	200	5340			
98	10000			79.2	176.7	Y355L-8	200	5340			
3L73WC	820	9.8	1000	102.0	30.4	Y250M-6	37	3550			
		19.6	2000	98.8	48.7	Y280M-6	55	3720			
		29.4	3000	96.9	67.0	Y315S-6	75	3857			
		39.2	4000	95.0	85.3	Y315L1-6	110	4230			
		49	5000	93.7	103.6	Y315L2-6	132	4330			
		58.8	6000	92.9	122.0	Y315L2-6	132	4330			
	900	68.6	7000	92.1	140.4	Y355M1-6	160	4765			
		78.4	8000	91.3	158.7	Y355M2-6	200	4885			
		9.8	1000	112.6	33.0	Y250M-6	37	3550			
		19.6	2000	109.4	53.1	Y315S-6	75	3857			
		29.4	3000	107.5	73.1	Y315M-6	90	3897			
		39.2	4000	105.6	93.2	Y315L1-6	110	4230			
	900	49	5000	104.3	113.3	Y315L2-6	132	4330			
		58.8	6000	103.5	133.3	Y355M1-6	160	4765			
		68.6	7000	102.7	153.4	Y355M2-6	200	4885			
		78.4	8000	101.9	173.4	Y355M2-6	200	4885			

风机型号	转速 (n)		升压 ΔP		进口流量 (Q)		轴功率		配套电机		整机重
	r/min	kPa	mmH ₂ O	m ³ /min	kW	型号	功率kW	kg			
3L73WD	980	9.8	1000	123.3	35.6	Y280S-6	45	3645			
		19.6	2000	120.0	57.5	Y315S-6	75	4185			
		29.4	3000	118.2	79.3	Y315M-6	90	4285			
		39.2	4000	116.3	101.1	Y315L1-6	110	4365			
		49	5000	115.0	122.7	Y315L2-6	132	4425			
		58.8	6000	114.3	144.5	Y355M1-6	160	4825			
		68.6	7000	113.5	166.6	Y355M2-6	200	4925			
		78.4	8000	112.6	188.8	Y355M2-6	200	4925			
		88.2	9000	111.8	211.0	Y355L-6	250	5350			
		98	10000	111.2	233.1	Y355L-6	250	5350			
		3L73WC	1050	9.8	1000	132.6	37.9	Y225M-4	45	3505	
				19.6	2000	129.3	61.5	Y280S-4	75	3695	
				29.4	3000	127.5	85.1	Y315S-4	110	4115	
				39.2	4000	125.6	108.7	Y315M-4	132	4235	
49	5000			124.3	132.3	Y315L1-4	160	4295			
58.8	6000			123.6	155.9	Y315L2-4	200	4455			
68.6	7000			122.8	179.5	Y315L2-4	200	4455			
78.4	8000			121.9	203.1	Y355M-4	250	4855			
9.8	1000			141.9	40.2	Y225M-4	45	3505			
3L73WD	1120			19.6	2000	138.6	65.4	Y280S-4	75	3695	
		29.4	3000	136.8	90.6	Y315S-4	110	4115			
		39.2	4000	134.9	115.8	Y315M-4	132	4235			
		49	5000	133.6	141.1	Y315L1-4	160	4295			
		58.8	6000	132.9	166.3	Y315L2-4	200	4455			
		68.6	7000	132.1	191.5	Y355M-4	250	4855			
		78.4	8000	131.2	216.7	Y355M-4	250	4855			
		9.8	1000	151.2	42.4	Y225M-4	55	3510			
		19.6	2000	147.9	69.2	Y280S-4	75	3695			
		29.4	3000	146.1	96.0	Y315S-4	110	4115			
3L73WC	1190	39.2	4000	144.2	122.8	Y315L1-4	160	4295			
		49	5000	142.9	149.6	Y315L1-4	160	4295			
		58.8	6000	142.2	176.4	Y315L2-4	200	4455			
		68.6	7000	141.4	203.2	Y355M-4	250	4855			
		9.8	1000	160.5	44.6	Y250M-4	55	3510			
		19.6	2000	157.2	72.7	Y280M-4	90	3785			
		29.4	3000	155.4	100.8	Y315S-4	110	4115			
		39.2	4000	153.5	129.0	Y315L1-4	160	4295			
		49	5000	152.2	157.1	Y315L2-4	200	4455			
		58.8	6000	151.5	185.2	Y315L2-4	200	4455			
3L73WD	1450	68.6	7000	150.7	213.3	Y355M-4	250	4855			
		9.8	1000	187.0	49.0	Y250M-4	55	3523			
		19.6	2000	183.7	81.9	Y280M-4	90	3740			
		29.4	3000	181.9	114.8	Y315M-4	132	4235			
		39.2	4000	180.0	147.7	Y315L1-4	160	4295			
		49	5000	178.7	180.6	Y315L2-4	200	4405			
		58.8	6000	178.0	213.5	Y355M-4	250	4885			

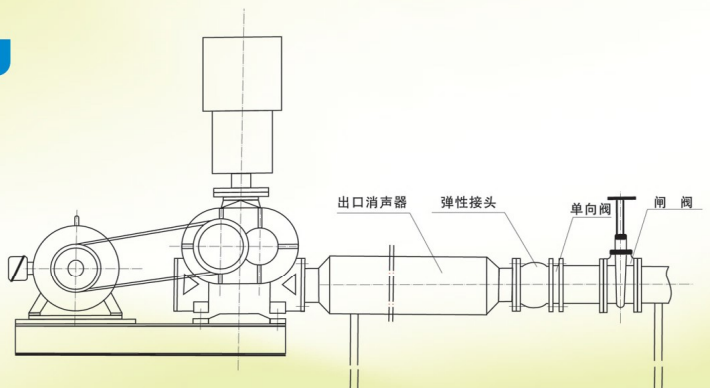
高效率 HIGH EFFICIENCY 节能 ENERGY-SAVING 低噪音 LOW-NOISE 低振动 LOW VIBRATION

高效率 HIGH EFFICIENCY 节能 ENERGY-SAVING 低噪音 LOW-NOISE 低振动 LOW VIBRATION

噪音曲线图



配管参考图



三叶型罗茨真空泵性能参数表

风机型号	转速(n)	真空度		流量(Q)	辅功率	配套电机		机组重量
	r/min	kPa	mmHg	m ³ /min	kW	型号	kW	
3L13XD	1450	-9.8	-1000	1.58	0.52	Y80M2-4	0.75	112
		-14.7	-1500	1.48	0.67	Y90S-4	1.1	115
		-19.6	-2000	1.42	0.82	Y90S-4	1.1	115
		-24.5	-2500	1.33	0.99	Y90L-4	1.5	120
		-29.4	-3000	1.24	1.15	Y90L-4	1.5	120
		-34.3	-3500	1.14	1.31	Y90L-4	1.5	120
	2950	-39.2	-4000	1.05	1.46	Y100L1-4	2.2	127
		-9.8	-1000	3.64	1.22	Y90S-2	1.5	115
		-14.7	-1500	3.45	1.57	Y90L-2	2.2	119
		-19.6	-2000	3.36	1.91	Y90L-2	2.2	119
		-24.5	-2500	3.23	2.26	Y100L-2	3	126
		-29.4	-3000	3.11	2.60	Y100L-2	3	126
3L13XC	1250	-34.3	-3500	2.98	2.94	Y112M-2	4	136
		-39.2	-4000	2.86	3.28	Y112M-2	4	136
		-9.8	-1000	1.36	0.42	Y80M-2	0.75	112
		-14.7	-1500	1.27	0.54	Y80M-2	0.75	112
		-19.6	-2000	1.21	0.66	Y80M-2	0.75	112
		-24.5	-2500	1.10	0.79	Y90S-4	1.1	115
	1650	-29.4	-3000	0.99	0.92	Y90S-4	1.1	115
		-34.3	-3500	0.87	1.05	Y90L-4	1.5	120
		-39.2	-4000	0.75	1.18	Y90L-4	1.5	120
		-9.8	-1000	1.80	0.63	Y80M2-4	0.75	113
		-14.7	-1500	1.71	0.81	Y90S-4	1.1	116
		-19.6	-2000	1.64	0.98	Y90S-4	1.1	116
	1850	-24.5	-2500	1.56	1.16	Y90L-4	1.5	121
		-29.4	-3000	1.45	1.33	Y90L-4	1.5	121
		-34.3	-3500	1.36	1.51	Y100L1-4	2.2	128
		-39.2	-4000	1.27	1.69	Y100L1-4	2.2	128
		-9.8	-1000	2.02	0.73	Y90S-4	1.1	116
		-14.7	-1500	1.93	0.92	Y90S-4	1.1	116
	2050	-19.6	-2000	1.86	1.11	Y90L-4	1.5	121
		-24.5	-2500	1.78	1.31	Y90L-4	1.5	121
		-29.4	-3000	1.67	1.50	Y100L1-4	2.2	129
		-34.3	-3500	1.58	1.69	Y100L1-4	2.2	129
		-39.2	-4000	1.49	1.88	Y100L1-4	2.2	129
		-9.8	-1000	2.25	0.84	Y90S-4	1.1	117
2050	-14.7	-1500	2.15	1.05	Y90L-4	1.5	122	
	-19.6	-2000	2.09	1.26	Y90L-4	1.5	122	
	-24.5	-2500	2.00	1.47	Y100L1-4	2.2	129	
	-29.4	-3000	1.89	1.68	Y100L1-4	2.2	129	
	-34.3	-3500	1.80	1.90	Y100L1-4	2.2	129	
	-39.2	-4000	1.71	2.11	Y100L2-4	3	133	

HIGH EFFICIENCY 节能 ENERGY-SAVING 节能 LOW-NOISE 低噪音 NO-VIBRATION 无振动

HIGH EFFICIENCY 节能 ENERGY-SAVING 节能 LOW-NOISE 低噪音 NO-VIBRATION 无振动

常龙 · THREE-LOBED ROOTS VACUUM PUMP

CHANGLONG

三叶型罗茨真空泵性能参数表

常龙 THREE-LOBED ROOTS BLOWER
CHANGLONG

PRODUCTS BENEFITING FUTURE GENERATIONS & OUTSTANDING TECHNOLOGY.

风机型号	转速(n)	真空度		流量 (Q)	辅功率	配套电机		机组重量
	r/min	kPa	mmHg	m ³ /min	kW	型号	kW	kg
3L14XD	1450	-9.8	-1000	2.08	0.58	Y80M2-4	0.75	120
		-14.7	-1500	1.95	0.78	Y90S-4	1.1	123
		-19.6	-2000	1.88	0.98	Y90S-4	1.1	123
		-24.5	-2500	1.77	1.17	Y90L-4	1.5	128
		-29.4	-3000	1.65	1.37	Y90L-4	1.5	128
		-34.3	-3500	1.53	1.58	Y100L1-4	2.2	135
		-39.2	-4000	1.40	1.77	Y100L1-4	2.2	135
	2950	-9.8	-1000	4.68	1.32	Y90S-2	1.5	123
		-14.7	-1500	4.42	1.72	Y90L-2	2.2	127
		-19.6	-2000	4.33	2.11	Y100L-2	3	134
		-24.5	-2500	4.21	2.54	Y100L-2	3	134
		-29.4	-3000	4.09	2.96	Y112M-2	4	144
		-34.3	-3500	3.97	3.38	Y112M-2	4	144
		-39.2	-4000	3.84	3.85	Y132S-2	5.5	165
3L14XC	1250	-9.8	-1000	1.80	0.49	Y80M2-4	0.75	120
		-14.7	-1500	1.67	0.66	Y80M2-4	0.75	120
		-19.6	-2000	1.60	0.82	Y90S-4	1.1	123
		-24.5	-2500	1.47	0.99	Y90S-4	1.1	123
		-29.4	-3000	1.35	1.16	Y90L-4	1.5	128
		-34.3	-3500	1.22	1.33	Y90L-4	1.5	128
		-39.2	-4000	1.11	1.50	Y100L1-4	2.2	135
	1650	-9.8	-1000	2.36	0.70	Y90S-4	1.1	124
		-14.7	-1500	2.23	0.92	Y90S-4	1.1	124
		-19.6	-2000	2.15	1.13	Y90L-4	1.5	129
		-24.5	-2500	2.03	1.34	Y100L1-4	2.2	136
		-29.4	-3000	1.92	1.55	Y100L1-4	2.2	136
		-34.3	-3500	1.80	1.77	Y100L1-4	2.2	136
		-39.2	-4000	1.67	1.98	Y100L1-4	2.2	136
1850	-9.8	-1000	2.64	0.82	Y90S-4	1.1	125	
	-14.7	-1500	2.51	1.06	Y90L-4	1.5	130	
	-19.6	-2000	2.43	1.29	Y90L-4	1.5	130	
	-24.5	-2500	2.31	1.52	Y100L1-4	2.2	137	
	-29.4	-3000	2.20	1.75	Y100L1-4	2.2	137	
	-34.3	-3500	2.08	1.99	Y100L1-4	2.2	137	
	-39.2	-4000	1.95	2.22	Y100L2-4	3	146	
2050	-9.8	-1000	2.92	0.94	Y90S-4	1.1	126	
	-14.7	-1500	2.79	1.20	Y90L-4	1.5	131	
	-19.6	-2000	2.71	1.45	Y100L1-4	2.2	138	
	-24.5	-2500	2.59	1.70	Y100L1-4	2.2	138	
	-29.4	-3000	2.48	1.95	Y100L1-4	2.2	138	
	-34.3	-3500	2.36	2.21	Y100L2-4	3	147	
	-39.2	-4000	2.23	2.46	Y100L2-4	3	147	

风机型号	转速(n)	真空度		流量 (Q)	辅功率	配套电机		机组重量
	r/min	kPa	mmHg	m ³ /min	kW	型号	kW	kg
3L21WD	1450	-9.8	-1000	2.94	0.81	Y90S-4	1.1	208
		-14.7	-1500	2.70	1.09	Y90L-4	1.5	213
		-19.6	-2000	2.60	1.36	Y90L-4	1.5	213
		-24.5	-2500	2.45	1.65	Y100L1-4	2.2	217
		-29.4	-3000	2.29	1.93	Y100L1-4	2.2	217
		-34.3	-3500	2.13	2.20	Y100L2-4	3	218
		-39.2	-4000	1.98	2.47	Y100L2-4	3	218
3L21WC	1650	-9.8	-1000	3.38	0.96	Y90S-4	1.1	208
		-14.7	-1500	3.16	1.26	Y90L-4	1.5	213
		-19.6	-2000	3.05	1.55	Y100L1-4	2.2	217
		-24.5	-2500	2.90	1.84	Y100L1-4	2.2	217
		-29.4	-3000	2.73	2.13	Y100L2-4	3	218
		-34.3	-3500	2.57	2.44	Y100L2-4	3	218
		-39.2	-4000	2.43	2.74	Y112M-4	4	227
	1800	-9.8	-1000	3.74	1.07	Y90L-4	1.5	210
		-14.7	-1500	3.51	1.40	Y100L1-4	2.2	218
		-19.6	-2000	3.39	1.72	Y100L1-4	2.2	218
		-24.5	-2500	3.24	2.04	Y100L2-4	3	219
		-29.4	-3000	3.08	2.36	Y100L2-4	3	219
		-34.3	-3500	2.93	2.69	Y100L2-4	3	219
		-39.2	-4000	2.75	3.02	Y112M-4	4	228
1950	-9.8	-1000	4.08	1.18	Y90L-4	1.5	211	
	-14.7	-1500	3.85	1.53	Y100L1-4	2.2	218	
	-19.6	-2000	3.76	1.88	Y100L1-4	2.2	218	
	-24.5	-2500	3.59	2.24	Y100L2-4	3	219	
	-29.4	-3000	3.42	2.59	Y100L2-4	3	219	
	-34.3	-3500	3.27	2.95	Y112M-4	4	229	
	-39.2	-4000	3.12	3.30	Y112M-4	4	229	
2100	-9.8	-1000	4.43	1.29	Y100L1-4	2.2	219	
	-14.7	-1500	4.20	1.68	Y100L1-4	2.2	219	
	-19.6	-2000	4.11	2.06	Y100L2-4	3	220	
	-24.5	-2500	3.94	2.44	Y100L2-4	3	220	
	-29.4	-3000	3.77	2.81	Y112M-4	4	230	
	-34.3	-3500	3.63	3.18	Y112M-4	4	230	
	-39.2	-4000	3.47	3.55	Y132S-4	5.5	253	
3L21WD	2950	-9.8	-1000	6.35	1.73	Y90L-2	2.2	208
		-14.7	-1500	6.14	2.33	Y100L-2	3	213
		-19.6	-2000	6.01	2.92	Y112M-2	4	217
		-24.5	-2500	5.86	3.53	Y112M-2	4	217
		-29.4	-3000	5.71	4.14	Y132S1-2	5.5	244
		-34.3	-3500	5.57	4.73	Y132S1-2	5.5	244
		-39.2	-4000	5.43	5.32	Y132S2-2	7.5	251

HIGH EFFICIENCY 节能 ENERGY-SAVING 节能 LOW-NOISE 低噪音 NO-VIBRATION 无振动

HIGH EFFICIENCY 节能 ENERGY-SAVING 节能 LOW-NOISE 低噪音 NO-VIBRATION 无振动

风机型号	转速(n)	真空度		流量(Q)	辅功率	配套电机		机组重量
	r/min	kPa	mmH ₂ O	m ³ /min	kW	型号	kW	
3L22WD	1450	-9.8	-1000	3.90	1.35	Y90L-4	1.5	222
		-14.7	-1500	3.69	1.68	Y100L1-4	2.2	230
		-19.6	-2000	3.57	2.01	Y100L1-4	2.2	230
		-24.5	-2500	3.38	2.37	Y100L2-4	3	231
		-29.4	-3000	3.20	2.72	Y100L2-4	3	231
		-34.3	-3500	3.02	3.08	Y112M-4	4	240
		-39.2	-4000	2.88	3.44	Y112M-4	4	240
3L22WC	1650	-9.8	-1000	4.66	1.56	Y100L1-4	2.2	230
		-14.7	-1500	4.48	1.96	Y100L1-4	2.2	230
		-19.6	-2000	4.35	2.35	Y100L2-4	3	231
		-24.5	-2500	4.16	2.74	Y100L2-4	3	231
		-29.4	-3000	3.97	3.13	Y112M-4	4	240
		-34.3	-3500	3.79	3.52	Y112M-4	4	240
		-39.2	-4000	3.66	3.90	Y132S-4	5.5	261
	1800	-9.8	-1000	5.14	1.71	Y100L1-4	2.2	231
		-14.7	-1500	4.95	2.16	Y100L2-4	3	232
		-19.6	-2000	4.81	2.61	Y100L2-4	3	232
		-24.5	-2500	4.62	3.04	Y112M-4	4	241
		-29.4	-3000	4.42	3.47	Y112M-4	4	241
		-34.3	-3500	4.27	3.90	Y132S-4	5.5	262
		-39.2	-4000	4.13	4.33	Y132S-4	5.5	262
1950	-9.8	-1000	5.62	1.86	Y100L2-4	3	233	
	-14.7	-1500	5.42	2.37	Y100L2-4	3	233	
	-19.6	-2000	5.29	2.87	Y112M-4	4	242	
	-24.5	-2500	5.14	3.35	Y112M-4	4	242	
	-29.4	-3000	4.95	3.82	Y132S-4	5.5	263	
	-34.3	-3500	4.78	4.30	Y132S-4	5.5	263	
	-39.2	-4000	4.60	4.77	Y132S-4	5.5	263	
2100	-9.8	-1000	6.08	2.01	Y100L2-4	3	234	
	-14.7	-1500	5.89	2.57	Y100L2-4	3	234	
	-19.6	-2000	5.75	3.12	Y112M-4	4	243	
	-24.5	-2500	5.56	3.64	Y132S-4	5.5	264	
	-29.4	-3000	5.38	4.16	Y132S-4	5.5	264	
	-34.3	-3500	5.20	4.68	Y132S-4	5.5	264	
	-39.2	-4000	5.05	5.19	Y132M-4	7.5	278	
3L22WD	2950	-9.8	-1000	8.79	2.44	Y100L-2	3	231
		-14.7	-1500	8.50	3.25	Y112M-2	4	240
		-19.6	-2000	8.37	4.05	Y132S1-2	5.5	260
		-24.5	-2500	8.18	4.86	Y132S1-2	5.5	260
		-29.4	-3000	7.97	5.66	Y132S2-2	7.5	264
		-34.3	-3500	7.76	6.47	Y132S2-2	7.5	264
		-39.2	-4000	7.60	7.27	Y160M1-2	11	306

风机型号	转速(n)	真空度		流量(Q)	辅功率	配套电机		机组重量		
	r/min	kPa	mmH ₂ O	m ³ /min	kW	型号	kW		kg	
3L32WD	980	-9.8	-1000	6.16	1.86	Y112M-6	2.2	390		
		-14.7	-1500	5.55	2.44	Y132S-6	3	408		
		-19.6	-2000	5.35	3.02	Y132M1-6	4	424		
		-24.5	-2500	4.95	3.60	Y132M1-6	4	424		
		-29.4	-3000	4.60	4.18	Y132M2-6	5.5	426		
		-34.3	-3500	4.30	4.77	Y132M2-6	5.5	426		
		-39.2	-4000	4.02	5.36	Y160M-6	7.5	464		
		-44.1	-4500	3.54	5.94	Y160M-6	7.5	464		
		3L32WC	1100	-9.8	-1000	7.13	2.10	Y110L2-4	3	381
				-14.7	-1500	6.54	2.75	Y112M-4	4	390
-19.6	-2000			6.33	3.40	Y112M-4	4	390		
-24.5	-2500			5.93	4.06	Y132S-4	5.5	411		
-29.4	-3000			5.58	4.71	Y132S-4	5.5	411		
-34.3	-3500			5.29	5.36	Y132M-4	7.5	425		
-39.2	-4000			4.98	6.00	Y132M-4	7.5	425		
1200	-44.1		-4500	4.50	6.66	Y132M-4	7.5	425		
	-9.8		-1000	7.85	2.31	Y100L2-4	3	382		
	-14.7		-1500	7.25	3.02	Y112M-4	4	391		
	-19.6		-2000	7.05	3.73	Y132S-4	5.5	412		
	-24.5		-2500	6.67	4.44	Y132S-4	5.5	412		
	-29.4		-3000	6.32	5.14	Y132M-4	7.5	426		
	-34.3		-3500	6.00	5.85	Y132M-4	7.5	426		
3L32WD	1450	-39.2	-4000	5.72	6.56	Y132M-4	7.5	426		
		-44.1	-4500	5.25	7.28	Y160M-4	11	462		
		-9.8	-1000	8.69	2.54	Y100L2-4	3	383		
		-14.7	-1500	8.09	3.32	Y112M-4	4	392		
		-19.6	-2000	7.89	4.09	Y132S-4	5.5	412		
		-24.5	-2500	7.50	4.86	Y132S-4	5.5	412		
		-29.4	-3000	7.15	5.63	Y132M-4	7.5	427		
		-34.3	-3500	6.85	6.40	Y132M-4	7.5	427		
		-39.2	-4000	6.57	7.17	Y132M-4	7.5	427		
		-44.1	-4500	6.08	7.95	Y160M-4	11	463		
3L32WC	1600	-9.8	-1000	9.72	2.80	Y112M-4	4	381		
		-14.7	-1500	9.12	3.66	Y132S-4	5.5	411		
		-19.6	-2000	8.91	4.52	Y132S-4	5.5	411		
		-24.5	-2500	8.53	5.39	Y132M-4	7.5	425		
		-29.4	-3000	8.17	6.26	Y132M-4	7.5	425		
		-34.3	-3500	7.88	7.14	Y160M-4	11	461		
		-39.2	-4000	7.61	8.01	Y160M-4	11	461		
		-44.1	-4500	7.14	8.89	Y160M-4	11	461		
		-49	-5000	6.40	9.76	Y160M-4	11	461		
		3L32WC	1600	-9.8	-1000	10.80	3.12	Y112M-4	4	393
-14.7	-1500			10.20	4.06	Y132S-4	5.5	412		
-19.6	-2000			10.00	5.00	Y132M-4	7.5	428		
-24.5	-2500			9.62	5.93	Y132M-4	7.5	428		
-29.4	-3000			9.26	6.85	Y132M-4	7.5	428		
-34.3	-3500			8.95	7.78	Y160M-4	11	464		
-39.2	-4000			8.65	8.71	Y160M-4	11	464		
-44.1	-4500			8.18	9.64	Y160M-4	11	464		
-49	-5000			7.49	10.56	Y160L-4	15	488		

HIGH EFFICIENCY 节能 ENERGY-SAVING 低噪音 LOW-NOISE 低振动 NO-VIBRATION

HIGH EFFICIENCY 节能 ENERGY-SAVING 低噪音 LOW-NOISE 低振动 NO-VIBRATION

HIGH EFFICIENCY 节能 ENERGY-SAVING 降噪 LOW-NOISE 无油 NO-VIBRATION

HIGH EFFICIENCY 节能 ENERGY-SAVING 降噪 LOW-NOISE 无油 NO-VIBRATION

风机型号	转速(n)	真空度		流量(Q)	辅功率	配套电机		机组重量
	r/min	kPa	mmHg	m ³ /min	kW	型号	kW	
3L41WD	980	-9.8	-1000	8.05	2.70	Y132S-6	3	567
		-14.7	-1500	7.36	3.46	Y132M1-6	4	583
		-19.6	-2000	7.09	4.22	Y132M2-6	5.5	585
		-24.5	-2500	6.65	4.99	Y160M-6	7.5	623
		-29.4	-3000	6.26	5.76	Y160M-6	7.5	623
		-34.3	-3500	5.88	6.52	Y160M-6	7.5	623
		-39.2	-4000	5.60	7.28	Y160L-6	11	647
		-44.1	-4500	4.89	8.05	Y160L-6	11	647
	1450	-9.8	-1000	12.45	3.95	Y132S-4	5.5	567
		-14.7	-1500	11.87	5.03	Y132M-4	7.5	581
		-19.6	-2000	11.62	6.12	Y132M-4	7.5	581
		-24.5	-2500	11.16	7.24	Y160M-4	11	620
		-29.4	-3000	10.79	8.35	Y160M-4	11	620
		-34.3	-3500	10.45	9.48	Y160M-4	11	620
		-39.2	-4000	10.18	10.60	Y160L-4	15	644
		-44.1	-4500	9.50	11.72	Y160L-4	15	644
3L42WD	980	-9.8	-1000	12.43	4.10	Y132M2-6	5.5	619
		-14.7	-1500	11.64	5.19	Y160M-6	7.5	657
		-19.6	-2000	11.27	6.28	Y160M-6	7.5	657
		-24.5	-2500	10.75	7.39	Y160L-6	11	681
		-29.4	-3000	10.28	8.50	Y160L-6	11	681
		-34.3	-3500	9.80	9.60	Y160L-6	11	681
		-39.2	-4000	9.43	10.69	Y180L-6	15	751
		-44.1	-4500	8.63	11.80	Y180L-6	15	751
		-49	-5000	7.70	12.90	Y180L-6	15	751
3L42WC	1100	-9.8	-1000	14.08	4.60	Y132S-4	5.5	590
		-14.7	-1500	13.38	5.83	Y132M-4	7.5	605
		-19.6	-2000	13.02	7.05	Y160M-4	11	654
		-24.5	-2500	12.55	8.28	Y160M-4	11	654
		-29.4	-3000	12.15	9.50	Y160M-4	11	654
		-34.3	-3500	11.76	10.76	Y160L-4	15	678
		-39.2	-4000	11.35	12.02	Y160L-4	15	678
		-44.1	-4500	10.58	12.28	Y160L-4	15	678
		-49	-5000	9.87	14.55	Y180M-4	18.5	710

风机型号	转速(n)	真空度		流量(Q)	辅功率	配套电机		机组重量
	r/min	kPa	mmHg	m ³ /min	kW	型号	kW	
3L42WC	1200	-9.8	-1000	15.50	5.02	Y132M-4	7.5	605
		-14.7	-1500	14.80	6.36	Y132M-4	7.5	615
		-19.6	-2000	14.46	7.71	Y160M-4	11	655
		-24.5	-2500	13.97	9.05	Y160M-4	11	655
		-29.4	-3000	13.57	10.40	Y160L-4	15	679
		-34.3	-3500	13.18	11.75	Y160L-4	15	679
		-39.2	-4000	12.77	13.10	Y160L-4	15	679
		-44.1	-4500	12.00	14.46	Y180M-4	18.5	711
	1310	-49	-5000	11.29	15.82	Y180M-4	18.5	711
		-9.8	-1000	16.95	5.45	Y132M-4	7.5	606
		-14.7	-1500	16.33	6.95	Y132M-4	7.5	606
		-19.6	-2000	15.99	8.44	Y160M-4	11	656
		-24.5	-2500	15.50	9.93	Y160M-4	11	656
		-29.4	-3000	15.07	11.43	Y160L-4	15	680
		-34.3	-3500	14.71	12.92	Y160L-4	15	680
		-39.2	-4000	14.30	14.40	Y180M-4	18.5	712
3L42WD	1450	-44.1	-4500	13.53	15.89	Y180M-4	18.5	712
		-49	-5000	12.82	17.38	Y180M-4	18.5	712
		-9.8	-1000	19.03	6.08	Y132M-4	7.5	604
		-14.7	-1500	18.32	7.76	Y160M-4	11	654
		-19.6	-2000	18.01	9.45	Y160M-4	11	654
		-24.5	-2500	17.52	11.14	Y160L-4	15	678
		-29.4	-3000	17.09	12.83	Y160L-4	15	678
		-34.3	-3500	16.73	14.52	Y180M-4	18.5	710
		-39.2	-4000	16.31	16.22	Y180M-4	18.5	710
3L42WC	1600	-44.1	-4500	15.55	17.87	Y180L-4	22	730
		-49	-5000	14.80	19.51	Y180L-4	22	730
		-9.8	-1000	21.13	6.85	Y160M-4	11	657
		-14.7	-1500	20.42	8.80	Y160M-4	11	657
		-19.6	-2000	20.10	10.75	Y160L-4	15	681
		-24.5	-2500	19.62	12.70	Y160L-4	15	681
		-29.4	-3000	19.19	14.65	Y180M-4	18.5	713
		-34.3	-3500	18.83	16.62	Y180M-4	18.5	713
		-39.2	-4000	18.42	18.60	Y180L-4	22	733
3L42WC	1600	-44.1	-4500	17.65	20.56	Y200L-4	30	794
		-49	-5000	16.92	22.52	Y200L-4	30	794

常龙 THREE-LOBED ROOTS VACUUM PUMP

CHANGLONG

三叶型罗茨真空泵性能参数表

常龙 THREE-LOBED ROOTS BLOWER
CHANGLONG CHANGLONG

PRODUCTS BENEFITING FUTURE GENERATIONS & OUTSTANDING TECHNOLOGY.

风机型号	转速(n) r/min	真空度		流量 (Q) m ³ /min	辅功率 kW	配套电机		机组重量 kg
		kPa	mmH ₂ O			型号	kW	
3L52WD	980	-9.8	-1000	22.2	6.4	Y160L-6	11	1042
		-14.7	-1500	21.4	8.2	Y160L-6	11	1042
		-19.6	-2000	21.1	9.9	Y180L-6	15	1100
		-24.5	-2500	20.6	11.7	Y180L-6	15	1100
		-29.4	-3000	20.0	13.4	Y200L1-6	18.5	1125
		-34.3	-3500	19.5	15.3	Y200L1-6	18.5	1125
		-39.2	-4000	19.1	17.1	Y200L2-6	22	1155
		-44.1	-4500	18.5	19.0	Y200L2-6	22	1155
		-49	-5000	17.3	20.8	Y225M-6	30	1235
3L52WC	1100	-9.8	-1000	25.4	7.3	Y160M-4	11	1050
		-14.7	-1500	24.6	9.6	Y160M-4	11	1050
		-19.6	-2000	24.3	11.8	Y160L-4	15	1064
		-24.5	-2500	23.8	14.3	Y180M-4	18.5	1096
		-29.4	-3000	23.3	16.6	Y180M-4	18.5	1096
		-34.3	-3500	22.8	19.0	Y180L-4	22	1114
		-39.2	-4000	22.3	21.4	Y200L-4	30	1138
		-44.1	-4500	21.5	23.9	Y200L-4	30	1138
		-49	-5000	20.6	26.3	Y200L-4	30	1138
	1200	-9.8	-1000	28.1	8.2	Y160M-4	11	1052
		-14.7	-1500	27.3	10.7	Y160L-4	15	1066
		-19.6	-2000	27.0	13.1	Y160L-4	15	1066
		-24.5	-2500	26.5	15.7	Y180M-4	18.5	1098
		-29.4	-3000	25.9	18.2	Y180L-4	22	1116
		-34.3	-3500	25.4	20.8	Y200L-4	30	1140
		-39.2	-4000	25.0	23.3	Y200L-4	30	1140
		-44.1	-4500	24.2	25.9	Y200L-4	30	1140
		-49	-5000	23.3	28.4	Y225S-4	37	1182
1310	-9.8	-1000	30.9	9.2	Y160M-4	11	1055	
	-14.7	-1500	30.1	12.0	Y160L-4	15	1068	
	-19.6	-2000	29.8	14.8	Y180M-4	18.5	1100	
	-24.5	-2500	29.3	17.6	Y180L-4	22	1118	
	-29.4	-3000	28.8	20.4	Y200L-4	30	1142	
	-34.3	-3500	28.3	23.3	Y200L-4	30	1142	
	-39.2	-4000	27.8	26.1	Y200L-4	30	1142	
	-44.1	-4500	27.0	28.9	Y225S-4	37	1185	
	-49	-5000	26.1	31.6	Y225S-4	37	1185	
3L52WD	1450	-9.8	-1000	34.7	10.1	Y160L-4	15	1050
		-14.7	-1500	33.9	13.2	Y160L-4	15	1050
		-19.6	-2000	33.6	16.2	Y180M-4	18.5	1100
		-24.5	-2500	33.0	19.3	Y180L-4	22	1118
		-29.4	-3000	32.5	22.4	Y200L-4	30	1142
		-34.3	-3500	32.0	25.5	Y200L-4	30	1142
		-39.2	-4000	31.5	28.6	Y225S-4	37	1180
		-44.1	-4500	31.0	31.8	Y225S-4	37	1180
		-49	-5000	29.8	34.9	Y225M-4	45	1240

风机型号	转速(n) r/min	真空度		流量 (Q) m ³ /min	辅功率 kW	配套电机		机组重量 kg
		kPa	mmH ₂ O			型号	kW	
3L53WD	980	-9.8	-1000	28.7	8.2	Y160L-6	11	1117
		-14.7	-1500	27.7	10.4	Y180L-6	15	1170
		-19.6	-2000	27.3	12.6	Y180L-6	15	1170
		-24.5	-2500	26.6	14.8	Y200L1-6	18.5	1190
		-29.4	-3000	26.0	17.0	Y200L1-6	18.5	1190
		-34.3	-3500	25.4	19.4	Y200L2-6	22	1195
		-39.2	-4000	24.8	21.7	Y225M-6	30	1270
		-44.1	-4500	24.1	24.1	Y225M-6	30	1270
		-49	-5000	22.7	26.4	Y225M-6	30	1270
3L53WC	1100	-9.8	-1000	32.7	9.3	Y160M-4	11	1127
		-14.7	-1500	31.7	11.9	Y160L-4	15	1197
		-19.6	-2000	31.3	14.4	Y180M-4	18.5	1226
		-24.5	-2500	30.6	17.1	Y180M-4	18.5	1226
		-29.4	-3000	30.0	19.8	Y180L-4	22	1248
		-34.3	-3500	29.4	22.5	Y200L-4	30	1300
		-39.2	-4000	28.8	25.2	Y200L-4	30	1300
		-44.1	-4500	27.9	28.0	Y225S-4	37	1360
		-49	-5000	26.9	30.7	Y225S-4	37	1360
	1200	-9.8	-1000	36.1	10.4	Y160L-4	15	1197
		-14.7	-1500	35.1	13.3	Y160L-4	15	1197
		-19.6	-2000	34.7	16.2	Y180M-4	18.5	1229
		-24.5	-2500	34.0	19.2	Y180L-4	22	1250
		-29.4	-3000	33.4	22.2	Y200L-4	30	1303
		-34.3	-3500	32.8	25.3	Y200L-4	30	1303
		-39.2	-4000	32.2	28.3	Y225S-4	37	1363
		-44.1	-4500	31.3	31.4	Y225S-4	37	1363
		-49	-5000	30.4	34.5	Y225S-4	37	1363
1310	-9.8	-1000	39.7	11.2	Y160L-4	15	1200	
	-14.7	-1500	38.7	14.5	Y180M-4	18.5	1232	
	-19.6	-2000	38.3	17.8	Y180L-4	22	1250	
	-24.5	-2500	37.6	21.2	Y200L-4	30	1302	
	-29.4	-3000	37.0	24.5	Y200L-4	30	1305	
	-34.3	-3500	36.4	27.9	Y225S-4	37	1366	
	-39.2	-4000	35.8	31.3	Y225S-4	37	1366	
	-44.1	-4500	34.9	34.8	Y225M-4	45	1405	
	-49	-5000	34.0	38.3	Y225M-4	45	1405	
3L53WD	1450	-9.8	-1000	44.6	12.1	Y160L-4	15	1215
		-14.7	-1500	43.6	16.0	Y180M-4	18.5	1245
		-19.6	-2000	43.2	20.0	Y200L-4	30	1300
		-24.5	-2500	42.5	23.8	Y200L-4	30	1300
		-29.4	-3000	41.8	27.5	Y225S-4	37	1355
		-34.3	-3500	41.3	31.6	Y225S-4	37	1355
		-39.2	-4000	40.7	35.6	Y225M-4	45	1400
		-44.1	-4500	40.0	39.5	Y225M-4	45	1400
		-49	-5000	38.9	43.3	Y250M-4	55	1469

HIGH EFFICIENCY 节能 ENERGY-SAVING 低噪音 LOW-NOISE 低振动 NO-VIBRATION

HIGH EFFICIENCY 节能 ENERGY-SAVING 低噪音 LOW-NOISE 低振动 NO-VIBRATION

常龙 · THREE-LOBED ROOTS VACUUM PUMP

CHANGLONG

三叶型罗茨真空泵性能参数表

常龙 THREE-LOBED ROOTS BLOWER
CHANGLONG CHANGLONG

PRODUCTS BENEFITING FUTURE GENERATIONS & OUTSTANDING TECHNOLOGY.

风机型号	转速(n)	真空度		流量 (Q)		辅功率		配套电机		机组重量
	r/min	kPa	mmHg	m ³ /min	kW	型号	kW	kg		
3L62WD	730	-9.8	-1000	34.2	9.4	Y200L-8	15	1839		
		-14.7	-1500	32.5	12.5	Y225S-8	18.5	1866		
		-19.6	-2000	31.6	15.5	Y225S-8	18.5	1866		
		-24.5	-2500	30.2	18.6	Y225M-8	22	1876		
		-29.4	-3000	28.9	21.6	Y250M-8	30	2005		
		-34.3	-3500	27.8	24.7	Y250M-8	30	2005		
		-39.2	-4000	26.8	27.7	Y250M-8	30	2005		
		-44.1	-4500	25.6	30.7	Y280S-8	37	2120		
		-49	-5000	23.8	33.7	Y280S-8	37	2120		
	970	-9.8	-1000	46.4	12.4	Y200L1-6	18.5	1792		
		-14.7	-1500	44.7	16.4	Y200L2-6	22	1796		
		-19.6	-2000	43.8	20.4	Y225M-6	30	1892		
		-24.5	-2500	42.3	24.5	Y225M-6	30	1892		
		-29.4	-3000	41.1	28.5	Y250M-6	37	2008		
		-34.3	-3500	39.9	32.6	Y250M-6	37	2008		
		-39.2	-4000	39.0	36.6	Y280S-6	45	2136		
		-44.1	-4500	37.8	40.7	Y280S-6	45	2136		
		-49	-5000	36.0	44.7	Y280M-6	55	2195		
3L62WC	1090	-9.8	-1000	52.5	14.2	Y180M-4	18.5	1845		
		-14.7	-1500	50.7	18.8	Y180L-4	22	1852		
		-19.6	-2000	49.8	23.3	Y200L-4	30	1895		
		-24.5	-2500	48.4	27.9	Y225S-4	37	1955		
		-29.4	-3000	47.1	32.4	Y225S-4	37	1955		
		-34.3	-3500	46.0	37	Y225M-4	45	1970		
		-39.2	-4000	45.0	41.6	Y250M-4	55	1992		
		-44.1	-4500	43.8	46.2	Y250M-4	55	1992		
		-49	-5000	42.2	50.7	Y280S-4	75	2165		
	1210	-9.8	-1000	58.6	16.4	Y180L-4	22	1854		
		-14.7	-1500	56.9	21.5	Y200L-4	30	1897		
		-19.6	-2000	56.0	26.5	Y225S-4	37	1957		
		-24.5	-2500	54.6	31.6	Y225S-4	37	1957		
		-29.4	-3000	53.3	36.6	Y225M-4	45	1972		
		-34.3	-3500	52.2	41.7	Y250M-4	55	1992		
		-39.2	-4000	51.2	46.8	Y250M-4	55	1992		
		-44.1	-4500	50.0	51.9	Y280S-4	75	2165		
		-49	-5000	48.4	56.9	Y280S-4	75	2165		
1330	-9.8	-1000	64.7	18.8	Y180L-4	22	1856			
	-14.7	-1500	63.1	24.4	Y200L-4	30	1897			
	-19.6	-2000	62.2	29.9	Y225S-4	37	1957			
	-24.5	-2500	60.8	35.5	Y225M-4	45	1975			
	-29.4	-3000	59.5	41.0	Y225M-4	45	1975			
	-34.3	-3500	58.4	46.6	Y250M-4	55	1994			
	-39.2	-4000	57.4	52.2	Y280S-4	75	2168			
	-44.1	-4500	56.2	57.8	Y280S-4	75	2168			
	-49	-5000	54.6	63.3	Y280S-4	75	2168			
3L62WD	1450	-9.8	-1000	70.8	22.3	Y200L-4	30	1895		
		-14.7	-1500	69.2	28.5	Y225S-4	37	1935		
		-19.6	-2000	68.2	34.6	Y225M-4	45	2030		
		-24.5	-2500	66.8	40.8	Y225M-4	45	2030		
		-29.4	-3000	65.5	46.9	Y250M-4	55	2089		
		-34.3	-3500	64.4	53.1	Y280S-4	75	2162		
		-39.2	-4000	63.5	59.3	Y280S-4	75	2162		
		-44.1	-4500	62.3	65.5	Y280S-4	75	2162		
		-49	-5000	59.9	71.7	Y280M-4	90	2267		

风机型号	转速(n)	真空度		流量 (Q)		辅功率		配套电机		机组重量
	r/min	kPa	mmHg	m ³ /min	kW	型号	kW	kg		
3L63WD	730	-9.8	-1000	41.0	10.8	Y200L-8	15	2150		
		-14.7	-1500	39.4	14.6	Y225S-8	18.5	2172		
		-19.6	-2000	38.5	18.4	Y225M-8	22	2192		
		-24.5	-2500	37.2	22.2	Y250M-8	30	2305		
		-29.4	-3000	36.0	26.0	Y250M-8	30	2305		
		-34.3	-3500	34.9	29.9	Y280S-8	37	2409		
		-39.2	-4000	33.8	33.7	Y280M-8	45	2520		
		-44.1	-4500	32.4	37.6	Y280M-8	45	2520		
		-49	-5000	29.7	41.4	Y315S-8	55	2900		
	970	-9.8	-1000	56.6	15.3	Y200L1-6	18.5	2112		
		-14.7	-1500	55.0	20.4	Y225M-6	30	2192		
		-19.6	-2000	54.1	25.5	Y225M-6	30	2192		
		-24.5	-2500	52.7	30.6	Y250M-6	37	2297		
		-29.4	-3000	51.5	35.7	Y280S-6	45	2436		
		-34.3	-3500	50.4	40.8	Y280S-6	45	2436		
		-39.2	-4000	49.4	45.9	Y280M-6	55	2495		
		-44.1	-4500	48.0	51.0	Y315S-6	75	2890		
		-49	-5000	45.3	56.1	Y315S-6	75	2890		
3L63WC	1090	-9.8	-1000	64.2	17.5	Y180L-4	22	2185		
		-14.7	-1500	62.6	23.3	Y200L-4	30	2220		
		-19.6	-2000	61.7	29.0	Y225S-4	37	2255		
		-24.5	-2500	60.3	34.8	Y225M-4	45	2265		
		-29.4	-3000	59.2	40.5	Y225M-4	45	2265		
		-34.3	-3500	58.1	46.3	Y250M-4	55	2328		
		-39.2	-4000	57.0	52.0	Y280S-4	75	2462		
		-44.1	-4500	55.6	57.8	Y280S-4	75	2462		
		-49	-5000	53.0	63.6	Y280S-4	75	2462		
	1210	-9.8	-1000	72.0	20.5	Y200L-4	30	2200		
		-14.7	-1500	70.4	26.9	Y200L-4	30	2200		
		-19.6	-2000	69.5	33.2	Y225S-4	37	2258		
		-24.5	-2500	68.2	39.6	Y225M-4	45	2268		
		-29.4	-3000	67.0	45.9	Y250M-4	55	2328		
		-34.3	-3500	65.9	52.3	Y280S-4	75	2465		
		-39.2	-4000	64.8	58.7	Y280S-4	75	2465		
		-44.1	-4500	63.4	65.1	Y280S-4	75	2465		
		-49	-5000	60.8	71.5	Y280M-4	90	2570		
1330	-9.8	-1000	79.8	23.6	Y200L-4	30	2202			
	-14.7	-1500	78.2	30.7	Y225S-4	37	2255			
	-19.6	-2000	77.3	37.7	Y225M-4	45	2265			
	-24.5	-2500	76.0	44.7	Y250M-4	55	2328			
	-29.4	-3000	74.8	51.6	Y280S-4	75	2468			
	-34.3	-3500	73.7	58.7	Y280S-4	75	2468			
	-39.2	-4000	72.6	65.8	Y280S-4	75	2468			
	-44.1	-4500	71.6	72.9	Y280M-4	90	2572			
	-49	-5000	68.6	79.9	Y280M-4	90	2572			
3L63WD	1450	-9.8	-1000	87.6	28.4	Y225S-4	37	2255		
		-14.7	-1500	86.0	36.2	Y225M-4	45	2265		
		-19.6	-2000	85.0	43.9	Y250M-4	55	2325		
		-24.5	-2500	83.7	51.7	Y280S-4	75	2462		
		-29.4	-3000	82.5	59.4	Y280S-4	75	2462		
		-34.3	-3500	81.4	67.2	Y280S-4	75	2462		
		-39.2	-4000	80.3	74.9	Y280M-4	90	2567		
		-44.1	-4500	78.9	82.7	Y280M-4	90	2567		
		-49	-5000	76.3	90.4	Y315S-4	110	2900		

HIGH EFFICIENCY 节能 ENERGY-SAVING 节能 LOW-NOISE 低噪 NO-VIBRATION 无振动

HIGH EFFICIENCY 节能 ENERGY-SAVING 节能 LOW-NOISE 低噪 NO-VIBRATION 无振动

常龙 THREE-LOBED ROOTS VACUUM PUMP

CHANGLONG

三叶型罗茨真空泵性能参数表

常龙 THREE-LOBED ROOTS BLOWER
CHANGLONG

PRODUCTS BENEFITING FUTURE GENERATIONS & OUTSTANDING TECHNOLOGY.

风机型号	转速(n) r/min	真空度		流量 (Q) m ³ /min	辅功率 kW	配套电机		机组重量 kg
		kPa	mmHg			型号	kW	
3L72WD	740	-9.8	-1000	60.8	19.8	Y225M-8	22	2950
		-14.7	-1500	59.5	25.5	Y250M-8	30	3056
		-19.6	-2000	58.5	31.1	Y280S-8	37	3207
		-24.5	-2500	57.8	36.8	Y280M-8	45	3283
		-29.4	-3000	57.0	42.4	Y280M-8	45	3283
		-34.3	-3500	56.3	48.1	Y315S-8	55	3745
		-39.2	-4000	55.5	53.7	Y315M-8	75	3885
		-44.1	-4500	54.8	59.4	Y315M-8	75	3885
		-49	-5000	53.3	65.0	Y315M-8	75	3885
3L72WC	820	-9.8	-1000	68.0	21.6	Y225M-6	30	3070
		-14.7	-1500	66.7	27.8	Y225M-6	30	3070
		-19.6	-2000	65.7	34.0	Y250M-6	37	3130
		-24.5	-2500	65.0	40.2	Y280S-6	45	3250
		-29.4	-3000	64.2	46.4	Y280M-6	55	3300
		-34.3	-3500	63.5	52.6	Y315S-6	75	3437
		-39.2	-4000	62.7	58.8	Y315S-6	75	3437
		-44.1	-4500	62.0	65	Y315S-6	75	3437
		-49	-5000	60.5	71.2	Y315M-6	90	3477
	900	-9.8	-1000	75.2	23.4	Y225M-6	30	3070
		-14.7	-1500	73.9	30.2	Y250M-6	37	3130
		-19.6	-2000	72.9	37	Y280S-6	45	3250
		-24.5	-2500	72.2	43.8	Y280M-6	55	3300
		-29.4	-3000	71.4	50.6	Y280M-6	55	3300
		-34.3	-3500	70.7	57.4	Y315S-6	75	3437
		-39.2	-4000	69.9	64.2	Y315S-6	75	3437
		-44.1	-4500	69.2	71.0	Y315M-6	90	3477
		-49	-5000	67.7	77.8	Y315M-6	90	3477
3L72WD	980	-9.8	-1000	82.4	25.0	Y225M-6	30	2985
		-14.7	-1500	81.1	32.4	Y250M-6	37	3115
		-19.6	-2000	80.1	39.7	Y280S-6	45	3225
		-24.5	-2500	79.4	47.1	Y280M-6	55	3275
		-29.4	-3000	78.6	54.5	Y315S-6	75	3765
		-34.3	-3500	77.9	61.9	Y315S-6	75	3765
		-39.2	-4000	77.1	69.3	Y315S-6	75	3765
		-44.1	-4500	76.4	76.8	Y315M-6	90	3855
		-49	-5000	74.9	84.2	Y315L1-6	110	3945
3L72WC	1050	-9.8	-1000	88.7	26.6	Y200L-4	30	2995
		-14.7	-1500	87.4	34.6	Y225M-4	45	3065
		-19.6	-2000	86.4	42.5	Y250M-4	55	3090
		-24.5	-2500	85.7	50.5	Y250M-4	55	3090
		-29.4	-3000	85.0	58.4	Y280S-4	75	3275
		-34.3	-3500	84.2	66.4	Y280S-4	75	3275
		-39.2	-4000	83.4	74.3	Y280M-4	90	3365
		-44.1	-4500	82.7	82.3	Y280M-4	90	3365
		-49	-5000	81.2	90.3	Y315S-4	110	3695

风机型号	转速(n) r/min	真空度		流量 (Q) m ³ /min	辅功率 kW	配套电机		机组重量 kg
		kPa	mmHg			型号	kW	
3L72WC	1120	-9.8	-1000	95.0	28.2	Y225S-4	37	3055
		-14.7	-1500	93.7	36.8	Y225M-4	45	3065
		-19.6	-2000	92.7	45.3	Y250M-4	55	3090
		-24.5	-2500	92.0	53.8	Y280S-4	75	3275
		-29.4	-3000	91.2	62.3	Y280S-4	75	3275
		-34.3	-3500	90.5	70.9	Y280M-4	90	3365
		-39.2	-4000	89.7	79.4	Y280M-4	90	3365
		-44.1	-4500	89.0	88.0	Y315S-4	110	3695
		-49	-5000	87.5	96.6	Y315S-4	110	3695
	1190	-9.8	-1000	101.3	29.8	Y225S-4	37	3055
		-14.7	-1500	100.0	38.9	Y225M-4	45	3065
		-19.6	-2000	99.0	48.0	Y250M-4	55	3090
		-24.5	-2500	98.3	57.1	Y280S-4	75	3275
		-29.4	-3000	97.5	66.2	Y280S-4	75	3275
		-34.3	-3500	96.8	75.3	Y280M-4	90	3365
		-39.2	-4000	96.0	84.4	Y315S-4	110	3695
		-44.1	-4500	95.3	93.5	Y315S-4	110	3695
		-49	-5000	93.8	102.6	Y315M-4	132	3815
1250	-9.8	-1000	106.7	31.4	Y225S-4	37	3055	
	-14.7	-1500	105.4	41.0	Y225M-4	45	3065	
	-19.6	-2000	104.4	50.6	Y250M-4	55	3090	
	-24.5	-2500	103.7	60.2	Y280S-4	75	3275	
	-29.4	-3000	102.9	69.8	Y280S-4	75	3275	
	-34.3	-3500	102.2	79.4	Y280M-4	90	3365	
	-39.2	-4000	101.4	89.0	Y315S-4	110	3695	
	-44.1	-4500	100.7	98.6	Y315S-4	110	3695	
	-49	-5000	99.2	108.2	Y315M-4	132	3815	
3L73WD	740	-9.8	-1000	91.4	27.7	Y250M-8	30	3503
		-14.7	-1500	88.5	36.0	Y280M-8	45	3733
		-19.6	-2000	87.3	44.2	Y315S-8	55	4195
		-24.5	-2500	85.6	52.5	Y315M-8	75	4305
		-29.4	-3000	84.0	60.7	Y315M-8	75	4305
		-34.3	-3500	82.9	69.0	Y315M-8	75	4305
		-39.2	-4000	81.9	77.2	Y315L1-8	90	4375
		-44.1	-4500	80.7	85.5	Y315L2-8	110	4445
		-49	-5000	79.4	93.8	Y315L2-8	110	4445
3L73WC	820	-9.8	-1000	102.0	30.4	Y250M-6	37	3550
		-14.7	-1500	99.1	39.6	Y280S-6	45	3670
		-19.6	-2000	97.9	48.7	Y280M-6	55	3720
		-24.5	-2500	96.2	57.9	Y315S-6	75	3857
		-29.4	-3000	94.6	67.0	Y315S-6	75	3857
		-34.3	-3500	93.5	76.2	Y315S-6	75	3857
		-39.2	-4000	92.5	85.3	Y315L1-6	110	4230
		-44.1	-4500	91.3	94.5	Y315L1-6	110	4230
		-49	-5000	90.0	103.6	Y315L2-6	132	4330

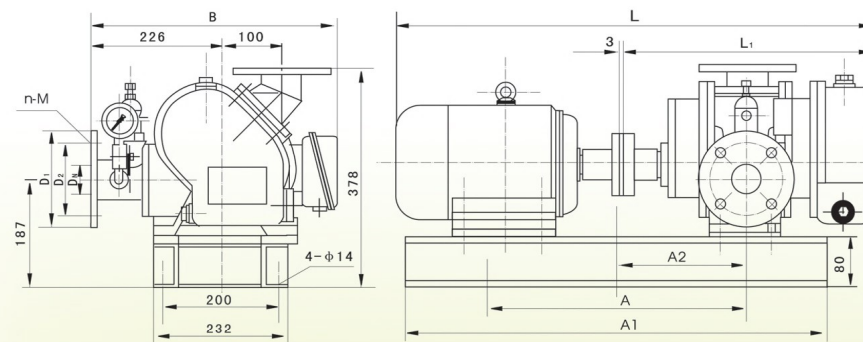
HIGH EFFICIENCY 节能 ENERGY-SAVING 节能 LOW-NOISE 低噪音 NO-VIBRATION 无振动

HIGH EFFICIENCY 节能 ENERGY-SAVING 节能 LOW-NOISE 低噪音 NO-VIBRATION 无振动

外形及安装尺寸图

风机型号	转速(n)	真空度		流量(Q)		辅功率		配套电机		机组重量
	r/min	kPa	mmHg	m ³ /min	kW	型号	kW	kg		
3L73WC	900	-9.8	-1000	112.6	33.0	Y250M-6	37	3550		
		-14.7	-1500	109.7	43.1	Y280M-6	55	3720		
		-19.6	-2000	108.5	53.1	Y315S-6	75	3875		
		-24.5	-2500	106.8	63.0	Y315S-6	75	3875		
		-29.4	-3000	105.2	73.1	Y315M-6	90	3897		
		-34.3	-3500	104.1	83.2	Y315M-6	90	3897		
		-39.2	-4000	103.1	93.2	Y315L1-6	110	4230		
		-44.1	-4500	101.9	103.3	Y315L2-6	132	4330		
3L73WD	980	-49	-5000	100.6	113.3	Y315L2-6	132	4330		
		-9.8	-1000	123.2	35.6	Y280S-6	45	3645		
		-14.7	-1500	120.3	46.6	Y280M-6	55	3695		
		-19.6	-2000	119.1	57.5	Y315S-6	75	4185		
		-24.5	-2500	117.4	68.4	Y315S-6	75	4185		
		-29.4	-3000	115.8	79.3	Y315M-6	90	4285		
		-34.3	-3500	114.7	90.2	Y315L1-6	110	4365		
		-39.2	-4000	113.7	101.1	Y315L1-6	110	4365		
3L73WC	1050	-44.1	-4500	112.5	111.9	Y315L2-6	132	4425		
		-49	-5000	111.2	122.7	Y315L2-6	132	4425		
		-9.8	-1000	132.5	37.9	Y225M-4	45	3505		
		-14.7	-1500	129.6	49.7	Y250M-4	55	3510		
		-19.6	-2000	128.4	61.5	Y280S-4	75	3695		
		-24.5	-2500	126.7	73.3	Y280M-4	90	3800		
		-29.4	-3000	125.1	85.1	Y315S-4	110	4115		
		-34.3	-3500	124.0	96.9	Y315S-4	110	4115		
3L73WC	1120	-39.2	-4000	123.0	108.7	Y315M-4	132	4235		
		-44.1	-4500	121.8	120.5	Y315M-4	132	4235		
		-49	-5000	120.5	132.3	Y315L1-4	160	4295		
		-9.8	-1000	141.8	40.2	Y225M-4	45	3505		
		-14.7	-1500	138.9	52.8	Y280S-4	75	3695		
		-19.6	-2000	137.7	65.4	Y280S-4	75	3695		
		-24.5	-2500	136.0	78.0	Y280M-4	90	3800		
		-29.4	-3000	134.4	90.6	Y315S-4	110	4115		
3L73WC	1190	-34.3	-3500	133.3	103.2	Y315M-4	132	4235		
		-39.2	-4000	132.3	115.8	Y315M-4	132	4235		
		-44.1	-4500	131.1	128.5	Y315L1-4	160	4295		
		-49	-5000	129.8	141.1	Y315L1-4	160	4295		
		-9.8	-1000	151.1	42.4	Y250M-4	55	3510		
		-14.7	-1500	148.2	55.8	Y280S-4	75	3695		
		-19.6	-2000	147.0	69.2	Y280S-4	75	3695		
		-24.5	-2500	145.3	82.6	Y280M-4	90	3800		
3L73WC	1250	-29.4	-3000	143.7	96.0	Y315S-4	110	4115		
		-34.3	-3500	142.6	109.4	Y315M-4	132	4235		
		-39.2	-4000	141.6	122.8	Y315L1-4	160	4295		
		-44.1	-4500	140.4	136.2	Y315L1-4	160	4295		
		-49	-5000	139.1	149.6	Y315L1-4	185	4455		
		-9.8	-1000	159.1	44.6	Y250M-4	55	3510		
		-14.7	-1500	156.2	58.7	Y280S-4	75	3695		
		-19.6	-2000	155.0	72.7	Y280M-4	90	3785		
3L73WC	1250	-24.5	-2500	153.3	86.8	Y315S-4	110	4115		
		-29.4	-3000	151.7	100.8	Y315S-4	110	4115		
		-34.3	-3500	150.6	114.9	Y315M-4	132	4235		
		-39.2	-4000	149.6	129.0	Y315L1-4	160	4295		
		-44.1	-4500	148.4	143.1	Y315L1-4	160	4295		
		-49	-5000	147.1	157.1	Y315L1-4	185	4455		

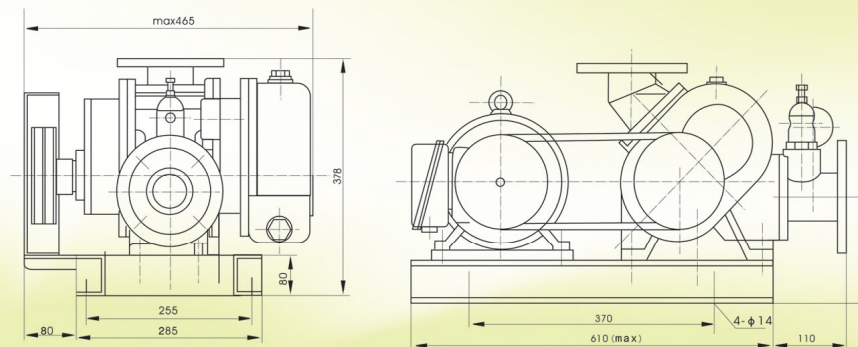
3L13XD、3L14XD三叶罗茨鼓风机、罗茨真空泵外形尺寸及安装尺寸图



单位:mm

风机型号	配套电机机座号	L	L ₁	B	A	A ₁	A ₂	D ₁	D ₂	D ₃	n-M
3L13XD	Y80M	718	431	404	377	643	179	Φ50	Φ165	Φ125	4-M16
	Y90S	744		187							
	Y90L	769		409	193						
	Y100L	814		434	206						
	Y112M	834		444	209						
	Y132S	909		464	220						
3L14XD	Y80M	755	468	404	377	643	188	Φ65	Φ185	Φ145	4-M16
	Y90S	780		409							
	Y90L	805		409	196						
	Y100L	850		434	215						
	Y112M	870		444	238						
	Y132S	945		464	238						

3L13XC、3L14XC三叶罗茨鼓风机、罗茨真空泵外形尺寸及安装尺寸图

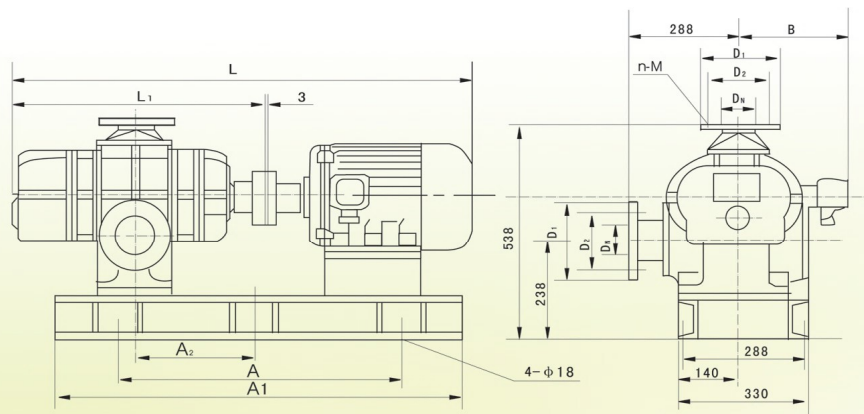


本样本所列风机性能按JB/T8941.1-2014、JB/T8941.2-2014标准测试。
本样本所列风机流量参数与客户所需流量参数有偏差时，请来电垂询。
本样本所记录的参数若因技术改进而变更，恕不另行通知。

HIGH EFFICIENCY 节能 ENERGY-SAVING 节能 LOW-NOISE 低噪音 NO-VIBRATION 无振动

HIGH EFFICIENCY 节能 ENERGY-SAVING 节能 LOW-NOISE 低噪音 NO-VIBRATION 无振动

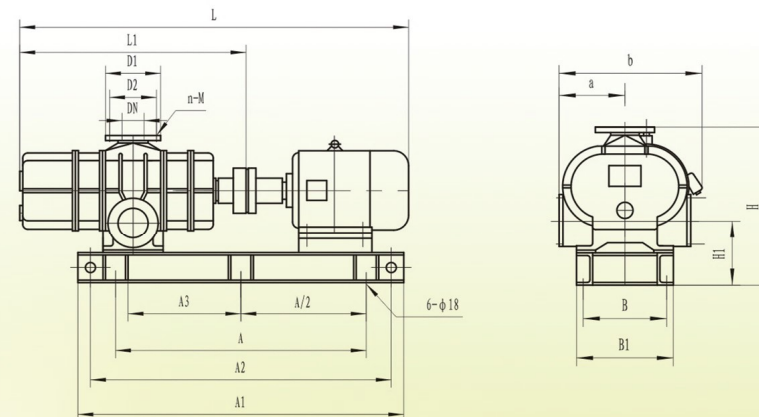
3L21WD、3L22WD三叶罗茨鼓风机、罗茨真空泵外形尺寸及安装尺寸图



单位:mm

风机型号	配套电机机座号	L	L ₁	B	A	A ₁	A ₂	D _n	D ₁	D ₂	n-M
3L21WD	Y 90S	908	593	205	540	860	237	Φ65	Φ185	Φ145	4-M16
	Y90L	933		249.5							
	Y100L	978		230							
	Y112M	998		240							
	Y132S	1073		260							
	Y160M	1198		305							
3L22WD	Y90L	978	638	205	540	860	249.5	Φ80	Φ200	Φ160	8-M16
	Y100L	1023		230							
	Y112M	1043		240							
	Y132S	1118		260							
	Y160M	1243		305							

3L32WD、3L41WD、3L42WD三叶罗茨鼓风机、罗茨真空泵外形尺寸及安装尺寸图



单位:mm

风机型号	配套电机机座号	L	L ₁	A ₁	A ₂	A ₃	H	H _i	a	b	B ₁	B	A	DN	D ₁	D ₂	n-M
3L32WD	Y100L	1245	860	1154	1064	308	618	260	229	472	335	285	834	Φ100	Φ220	Φ180	8-M16
	Y112M	1265				312											
	Y132S	1340				337											
	Y132M	1380				356											
	Y160M	1465				396											
	Y160L	1520				420											
	Y112M	1300				331				525							
3L41WD	Y132S	1375	895	1137	1047	355	635	260	255	545	394	344	817	Φ100	Φ220	Φ180	8-M16
	Y132M	1415				374											
	Y160M	1500				412											
	Y160L	1545				435											
	Y180M	1565				460											
	Y180L	1605				458											
	Y132M	1515				373				545							
3L42WD	Y160M	1600	995	1410	1320	412	635	260	255	590	394	344	1090	Φ125	Φ250	Φ210	8-M16
	Y160L	1645				435											
	Y180M	1670				441											
	Y180L	1710				460											
	Y200L	1775				465											
	Y200L	1775				465											

常龙 · THREE-LOBED ROOTS BLOWER AND VACUUM PUMP

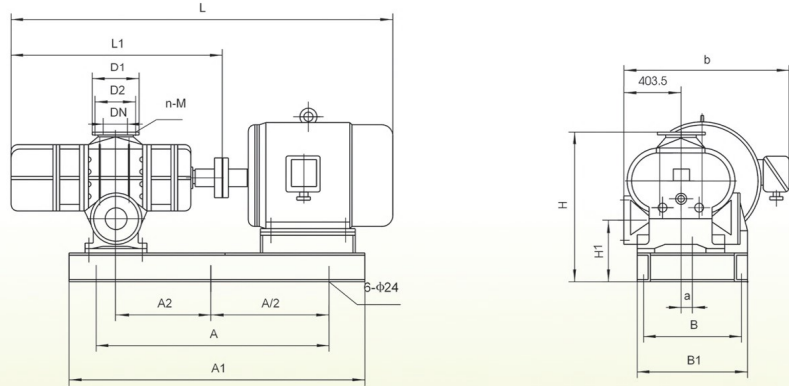
CHANGLONG

外形及安装尺寸图

常龙 THREE-LOBED ROOTS BLOWER
CHANGLONG CHANGLONG

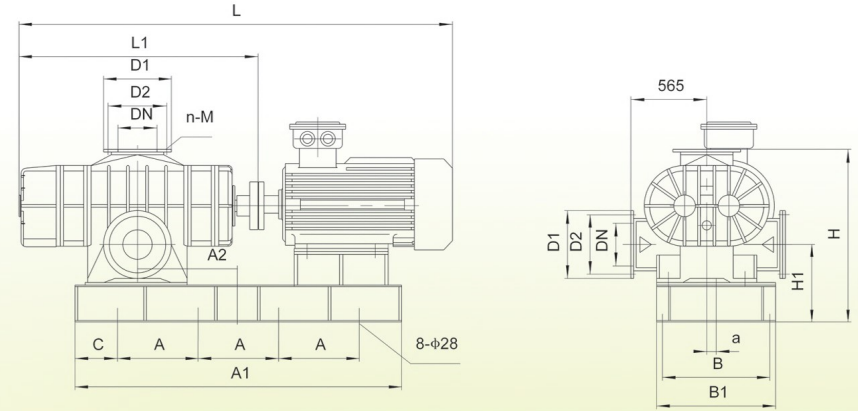
PRODUCTS BENEFITING FUTURE GENERATIONS & OUTSTANDING TECHNOLOGY.

3L52WD、3L53WD、3L62WD、3L63WD三叶罗茨鼓风机、罗茨真空泵外形尺寸及安装尺寸图



风机型号	配套电机机座号	L	L ₁	A	A ₁	A ₂	B	B ₁	D ₁	D ₂	n-M	H ₁	H	a	b	
3L52WD	Y160M	1772	1165	1047	1478	448	479	535	Φ150	Φ285	Φ240	8-M20	390	830	33.5	683
	Y160L	1817				470										683
	Y180M	1842				473										713
	Y180L	1882				492										713
	Y200L	1947				512										738
	Y225S	1992		520	773											
	Y225M	2017		532	773											
	Y250M	2102		565	813											
	Y280S	2172		602	838											
	Y280M	2222		635	838											
3L53WD	Y160M	1872	1265	1147	1578	448	479	535	Φ200	Φ340	Φ295	8-M20	390	830	33.5	683
	Y160L	1917				470										683
	Y180M	1942				473										713
	Y180L	1982				492										713
	Y200L	2047				512										738
	Y225S	2092		520	773											
	Y225M	2117		532	773											
	Y250M	2202		565	813											
	Y280S	2272		602	838											
	Y280M	2322		635	838											
3L62WD	Y180M	1925	1220	1060	1540	473	550	615	250	395	350	12-M20	480	1018	35	810
	Y180L	1965				492										810
	Y200L	1995				513										835
	Y225S	2040				521										865
	Y225M	2070				533										865
	Y250M	2135		571	900											
	Y280S	2210		591	940											
	Y280M	2260		615	940											
	Y315S	2520		705	990											
	Y315M	2550		705	1060											
3L63WD	Y180M	2035	1330	1170	1650	473	550	615	250	395	350	12-M20	480	1018	35	810
	Y180L	2075				492										810
	Y200L	2105				513										835
	Y225S	2150				521										865
	Y225M	2180				533										865
	Y250M	2245		571	900											
	Y280S	2320		591	940											
	Y280M	2370		615	940											
	Y315S	2630		705	1060											
	Y315M	2660		705	1060											
Y315L	2660	705	1060													

3L72WD、3L73WD三叶罗茨鼓风机、罗茨真空泵外形尺寸及安装尺寸图



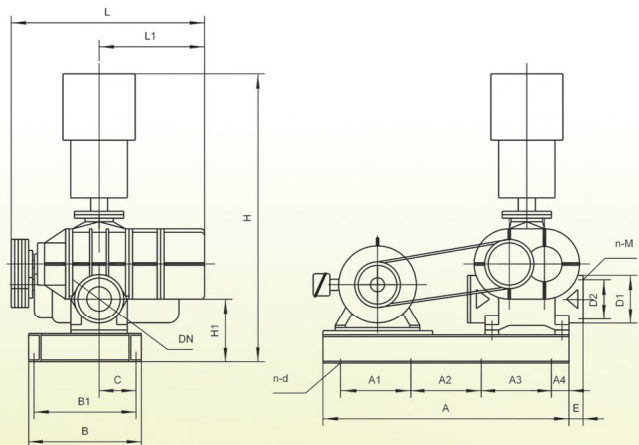
单位:mm

风机型号	配套电机机座号	L	L ₁	A	A ₁	A ₂	B	B ₁	C	D ₁	D ₂	D ₃	n-M	H	H ₁	a
3L72WD	225M	2360	1510	600	2040	680	815	885	120	445	400	300	12-M20	1260	560	45
	250M	2425							155							
	280S	2500							155							
	280M	2550			200											
	315S	2785			200											
	315M	2815			200											
	315L	2815			200											
3L73WD	355M	3045	1750	600	2200	760	815	885	275	505	460	350	16-M20	1260	560	45
	355L	3045							275							
	250M	2665							235							
	280S	2740			270											
	315S	3025			270											
	315M	3055			270											
	315L	3055			270											
355M	3285	315														
355L	3285	315														

HIGH EFFICIENCY 节能 ENERGY-SAVING 节能 LOW-NOISE 低噪音 NO-VIBRATION 无振动

HIGH EFFICIENCY 节能 ENERGY-SAVING 节能 LOW-NOISE 低噪音 NO-VIBRATION 无振动

皮带传动型三叶罗茨鼓风机、罗茨真空泵外形尺寸及安装尺寸图

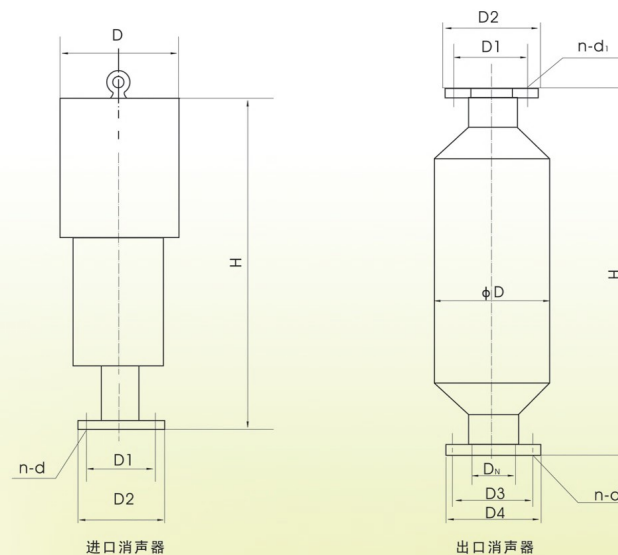


皮带传动安装尺寸

单位:mm

风机型号	电机功率 kw	A	A ₁	A ₂	A ₃	A ₄	B	B ₁	C	E	L	L ₁	H	H ₁	D ₁	D ₂	D ₃	n-d	n-M
3L21WC	≤ 7.5	810	640	/	/	85	370	330	172	130	575	282	1188	238	65	185	145	4-φ18	4-M16
3L22WC	≤ 7.5	810	640	/	/	85	370	330	150	130	620	305	1188	238	80	200	160	4-φ18	8-M16
3L32WC	≤ 15	880	700	/	/	90	460	410	145	60	860	420	1418	260	100	220	180	4-φ18	8-M16
3L41WC	≤ 30	1060	400	400	/	130	460	410	155	160	900	430	1435	260	100	220	180	6-φ18	8-M16
3L42WC	≤ 30	1060	400	400	/	130	560	510	205	55	1000	480	1605	260	125	250	210	6-φ18	8-M16
3L52WC	≤ 45	1250	450	450	/	175	720	655	220	75	1255	610	2080	390	150	285	240	6-φ24	8-M16
3L53WC	≤ 55	1300	500	500	/	150	820	760	270	75	1355	660	2080	390	200	340	295	6-φ24	8-M16
3L62WC	≤ 132	1600	600	600	/	200	940	870	410	100	1290	655	2845	480	250	395	350	6-φ26	12-M20
3L63WC	≤ 132	1600	600	600	/	200	960	890	370	100	1400	710	2845	480	250	395	350	6-φ26	12-M20
3L72WC	≤ 160	1920	500	500	500	210	960	890	315	192	1585	825	3360	560	300	445	400	8-φ28	12-M20
	200	1990				245													
3L73WC	≤ 160	1920	500	500	500	210	1200	1130	425	192	1825	945	3360	560	350	505	460	8-φ28	16-M20
	200	1990				245													

消声器安装尺寸



消声器安装尺寸

单位:mm

风机型号	进口消声器					出口消声器					
	φD ₁	φD ₂	φD	H	n-d	φD ₁ /D ₃	φD ₂ /D ₄	φD _n	φD	H	n-d ₁ /d ₂
3L13XD(C)	125	165	225	650	4-φ18	125	165	50	180	750	4-φ18
3L14XD(C)	145	185	225	650	4-φ18	145	185	65	180	750	4-φ18
3L21WD(C)	145	185	225	650	4-φ18	145	185	65	200	840	4-φ18
3L22WD(C)	160	200	225	650	8-φ18	160	200	80	200	840	8-φ18
3L32WD(C)	180	220	310	800	8-φ18	180	220	100	250	1020	8-φ18
3L41WD(C)	180	220	310	800	8-φ18	180	220	100	250	1020	8-φ18
3L42WD(C)	210	250	360	970	8-φ18	210	250	125	280	1250	8-φ18
3L52WD(C)	240	285	465	1250	8-φ22	240	285	150	320	1620	8-φ22
3L53WD(C)	295	340	465	1250	8-φ22	295	340	200	360	1620	8-φ22
3L62WD(C)	335	375	560	1650	12-φ22	350	395	250	420	2000	12-φ22
3L63WD(C)	335	375	560	1650	12-φ22	350	395	250	420	2000	12-φ22
3L72WD(C)	400	445	560	1700	12-φ22	400	445	300	500	2100	12-φ22
3L73WD(C)	460	505	630	1800	16-φ22	460	505	350	550	2100	16-φ22